

# 1.5mm Cable Display Systems - INSTALLATION GUIDELINES

## Panel Fixing - CG13 & CG23 Support Installation

1) Attach a clamp support to each corner of vertical panel at min. 1" distance from edge (fig 1).

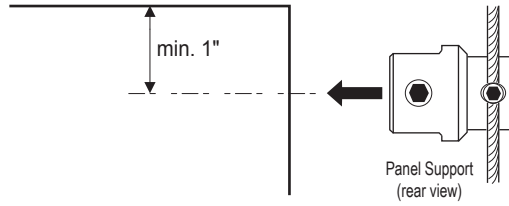


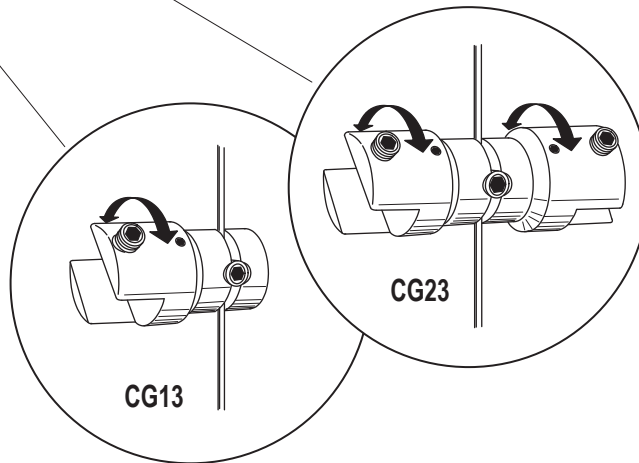
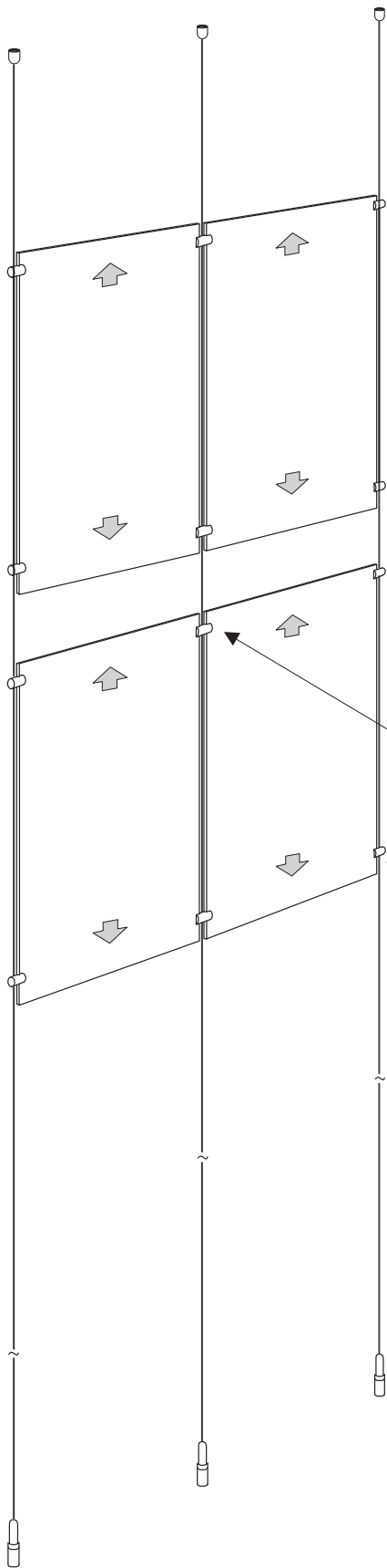
fig 1

2) Use additional clamp supports for panels taller than 60 inches to avoid bowing.

3) **Mark cable positions on floor area** - measure the distance between cable centers and mark cable positions on floor. With the use of a plumb line mark and fix cables to ceiling (ensuring that fixings are secure).

5) Install cables as per "Cable Fixing Instructions" for CA4 supplied.

6) Fix panels onto cables. Adjust panels vertically and horizontally, preferably with a spirit level. Repeat procedure for other panels.



## INSTALLATION TIPS

