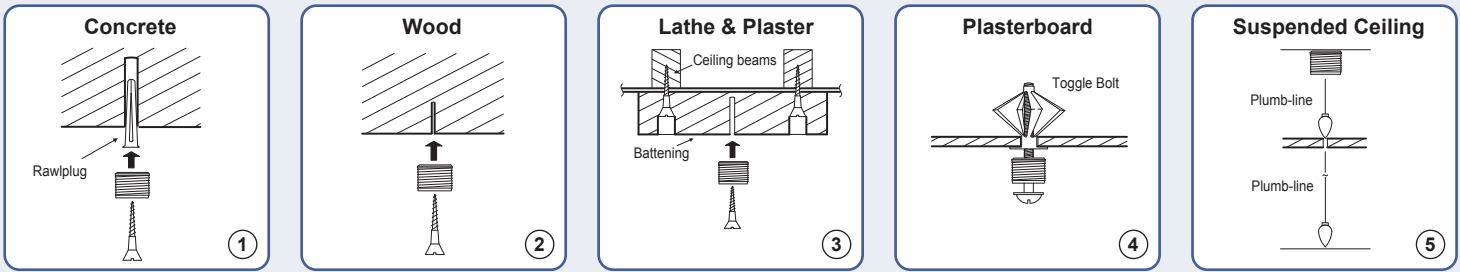


1.5mm Cable Display Systems - INSTALLATION GUIDELINES



Top to Bottom (CA4) - Cable Installation

IMPORTANT: It is essential to check that the top ceiling fixings are strong enough to take the weight of the items being displayed, whilst allowing for the tension in the cables.

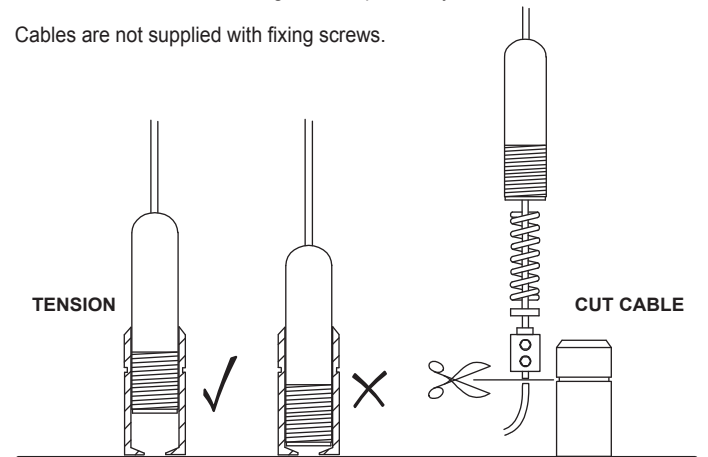
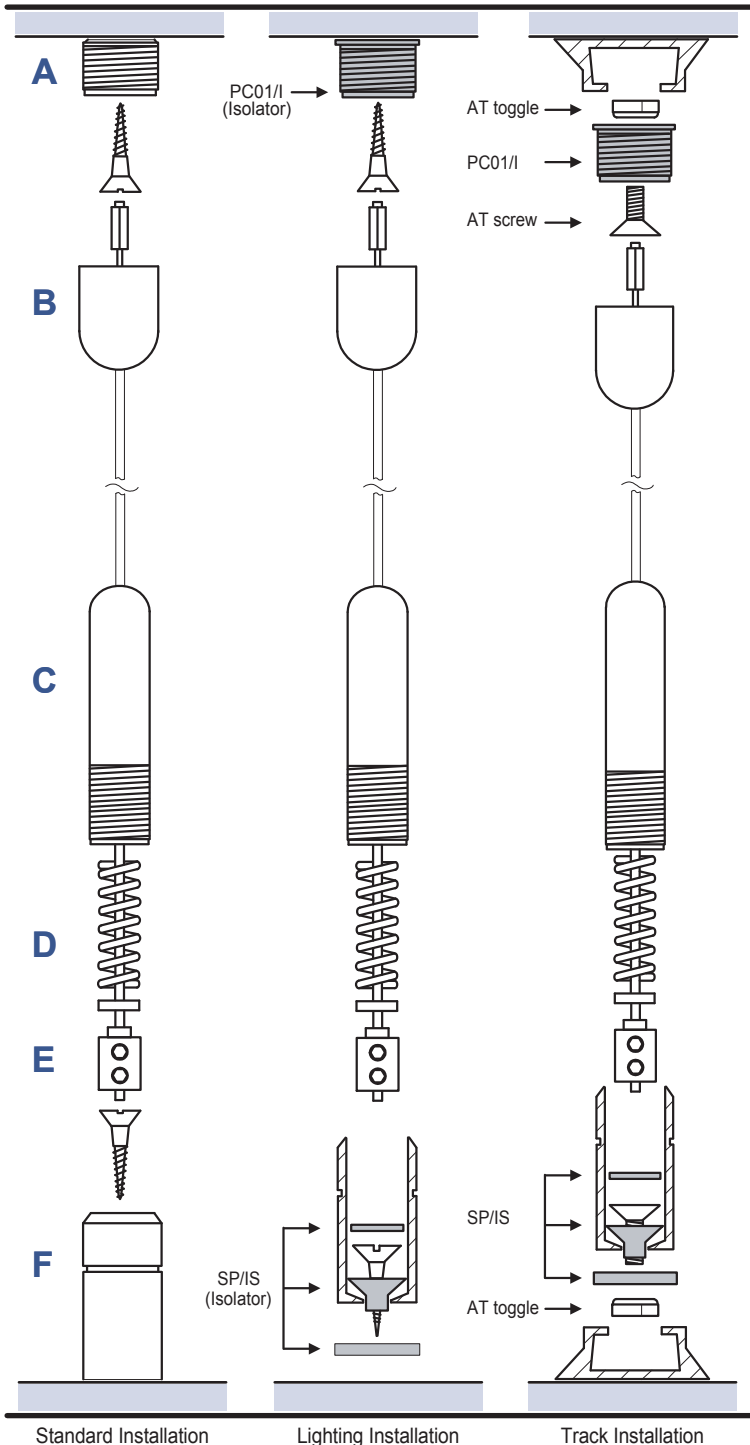
Isolators must be used where power is required through the cables (lighting etc) and fixings are into metal or conductive materials.

When fitting isolated cables remember to replace the top brass fitting with the plastic **PC01/I** isolator and add bottom isolator **SP/IS** to bottom fitting.

- 1) Fix fitting (A) to ceiling:
 - for wooden ceilings use a wood screw.
 - for cavity ceilings use a spring toggle bolt.
 - for solid ceilings use a rawplug and screw.
- 2) Screw fitting (B) to fitting (A).
- 3) Using a plumb-line, plumb down from (A) and fix (F) to floor using appropriate type of fixing. For isolated cable remember to include the **SP/IS**.
- 4) Loosen the grub screws in fitting (E), using the allen key provided and slide fittings (C), (D) and (E) up the cable.
- 5) Pull down the cable and cut off in line with the decorative line around fitting (F) (see below).
- 6) Re-tighten (E) on the end of the cable.
- 7) Adjust the tension of the cable by screwing (C) into (F).

N.B. It is important to check the strength of the top fixing. No responsibility will be taken for incorrect fixing. This responsibility rests with the installer.

Cables are not supplied with fixing screws.



1.5mm Cable Display Systems - INSTALLATION GUIDELINES

Wall to Wall (CWW) Cable Installation

IMPORTANT: It is essential to check that the top ceiling fixings are strong enough to take the weight of the items being displayed, whilst allowing for the tension in the cables.

1) Select the upper height at which cable is to start. Fix base fitting (A-B) to wall, using a suitable fixing for the type of wall:

- for wooden walls use a wood screw.
- for a cavity wall use a spring toggle bolt.
- for a solid wall use a rawlplug and screw.

2) Using a plumb line, plumb down from (A) to the required position for base fitting (G-F) and fix.

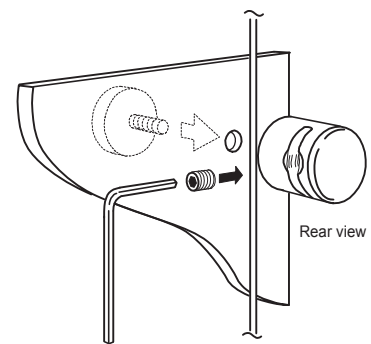
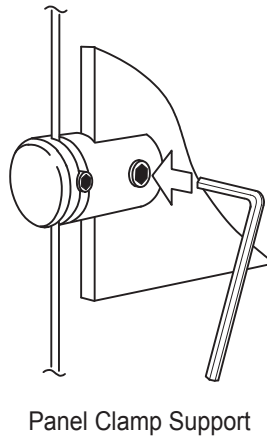
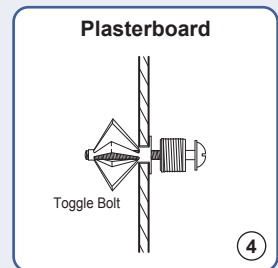
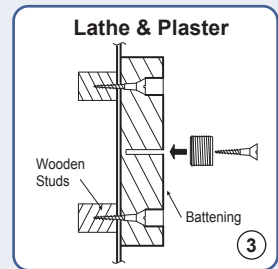
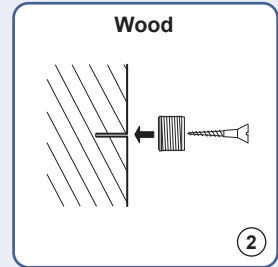
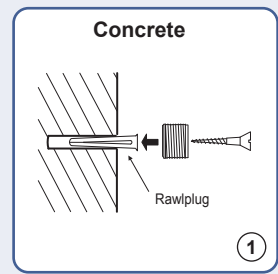
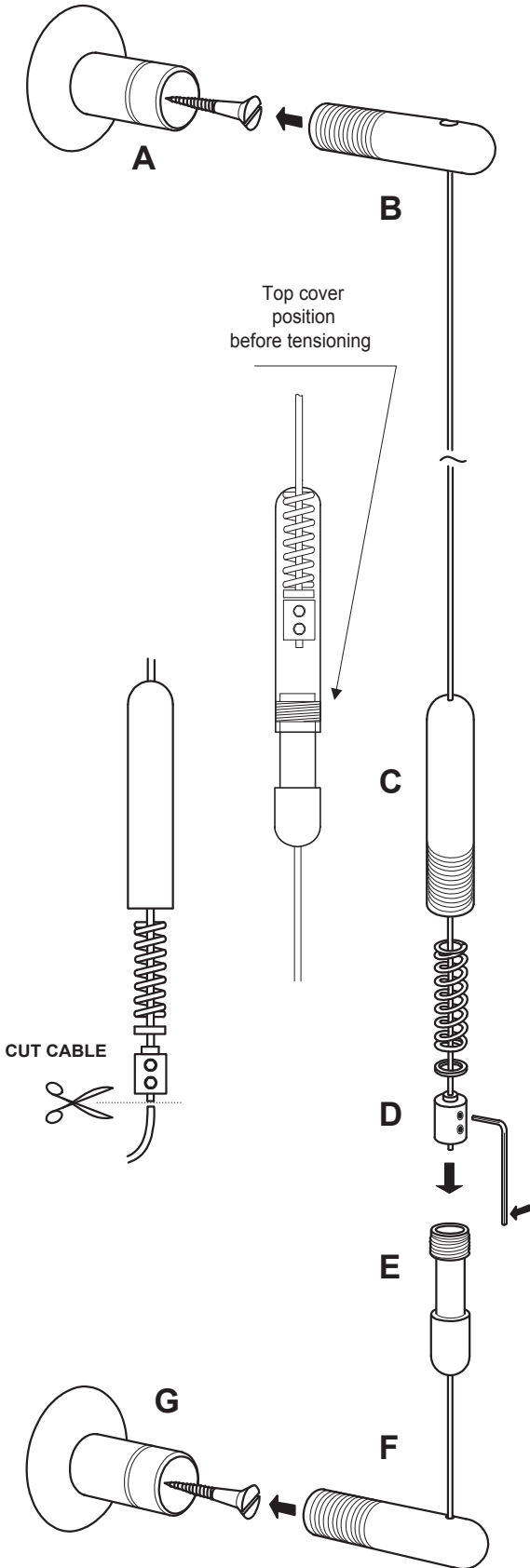
3) Separate the two sections of part (C) and (E) and loosen the grub screws in the small brass piece (D) using the allen key provided and slide fittings up the cable to the desired length. (Do not remove from cable).

4) Having selected the required length, re-tighten the brass fitting and cut off the surplus cable.

5) Re-connect the two sections (C) and (E) and tighten to adjust tension.

N.B. It is important to check the strength of the top fixing. No responsibility will be taken for incorrect fixing. This responsibility rests with the installer.

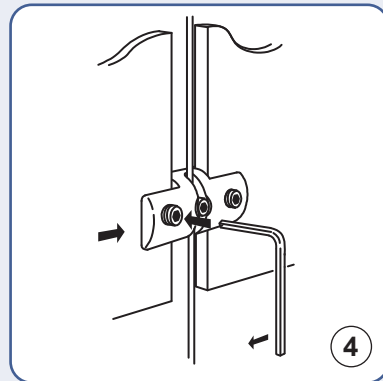
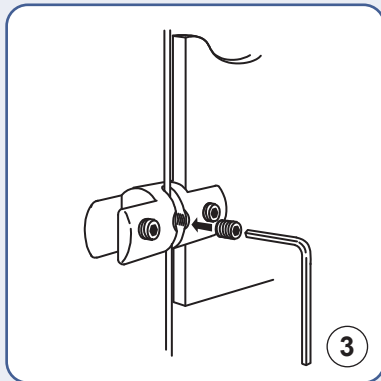
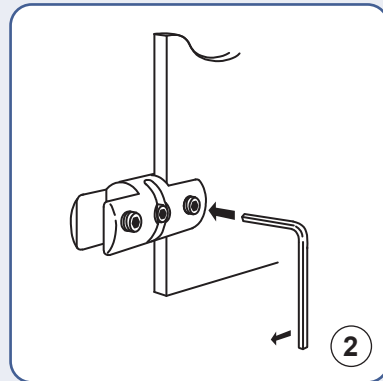
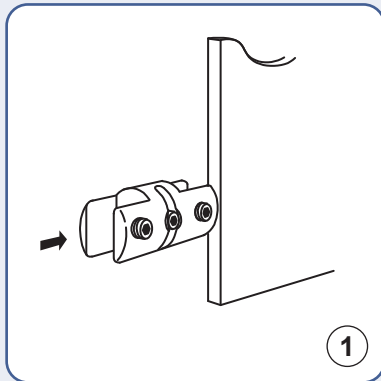
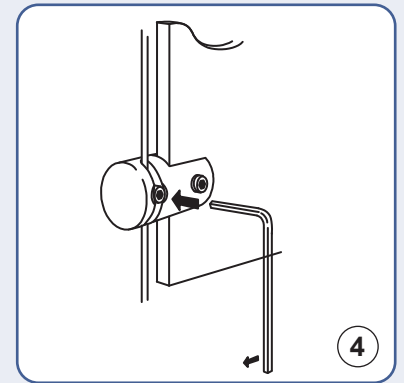
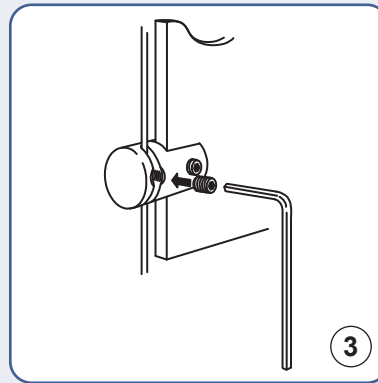
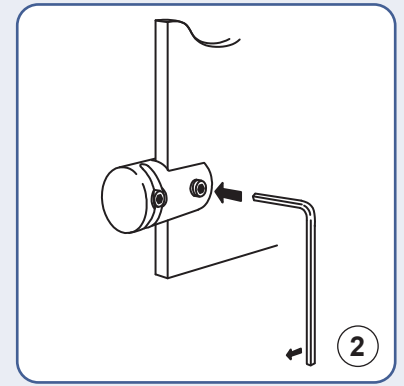
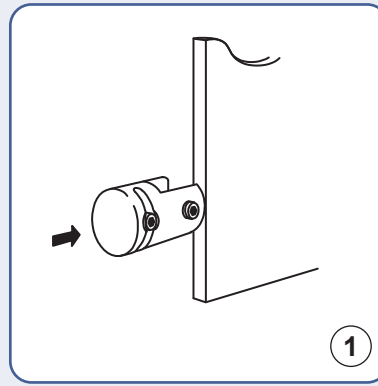
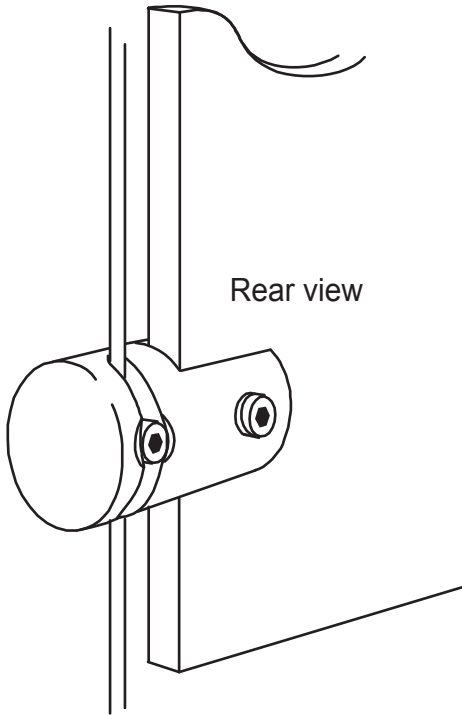
Cables are not supplied with fixing screws.



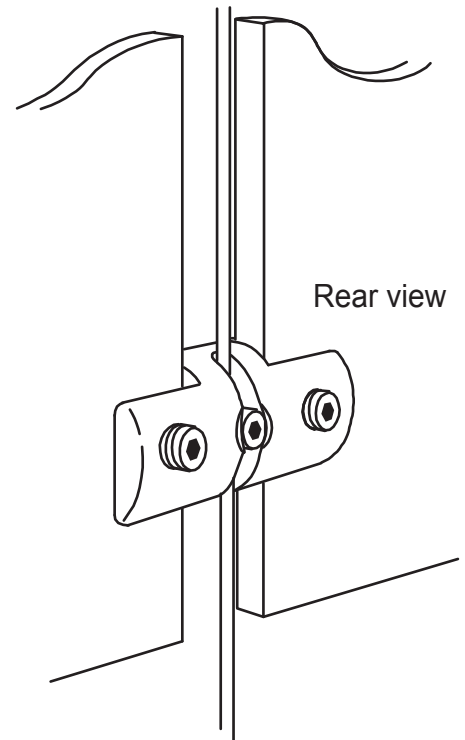
Panel Support w/Holes

1.5mm Cable Display Systems - INSTALLATION GUIDELINES

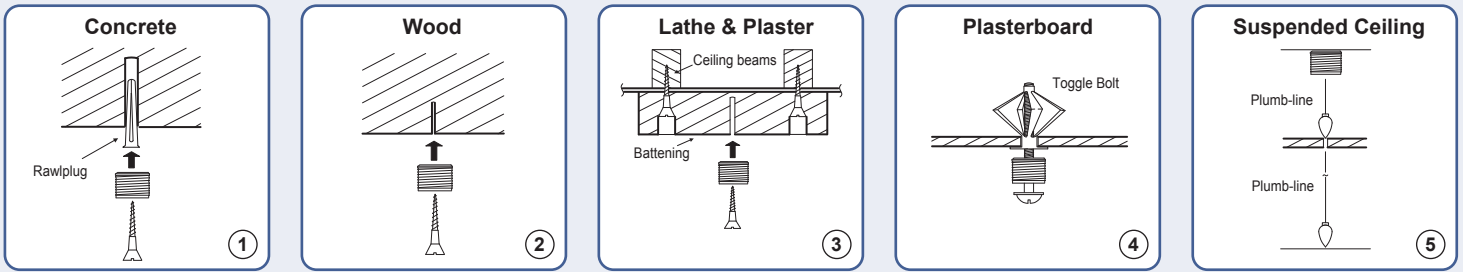
Vertical Panel Fixing CG01 Single Support



Vertical Panel Fixing CG02 Double Support



6mm Rod Display Systems - INSTALLATION GUIDELINES



Top to Bottom (RAS) - Rod Installation

IMPORTANT: It is essential to check that the top ceiling fixings are strong enough to take the weight of the items being displayed, whilst allowing for the tension in the rods.

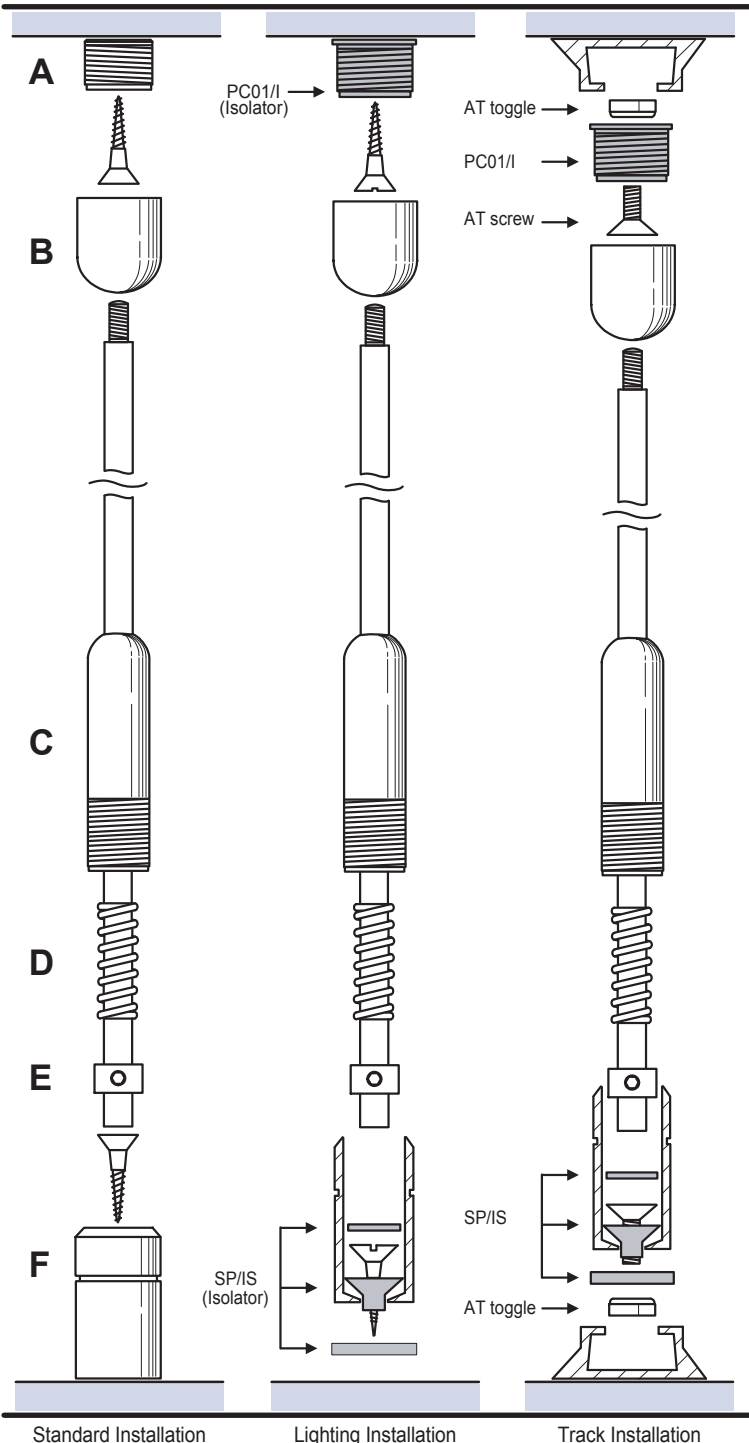
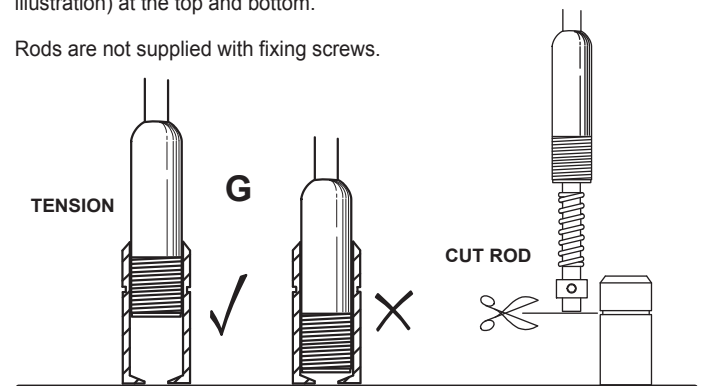
Isolators must be used where power is required through the rods (lighting etc.) and fixings are into metal or conductive materials. Remember to replace the top brass fitting with the plastic **PR01/I** isolator and add bottom isolator **SP/IS** to bottom fitting.

- 1) Fix fitting (A) to ceiling:
 - for wooden ceilings use a wood screw.
 - for cavity ceilings use a spring toggle bolt.
 - for solid ceilings use a rawlplug and screw.
- 2) Screw part (B) into part (A). This has a left hand thread.
- 3) Using a plumb-line, plumb down from (A) and fix floor fitting (F) to floor, using appropriate type of fixing.
- 4) Screw rod into top fitting (A) using a left hand thread and add as many additional rods as required.
- 5) Cut bottom rod in line with the decorative line around floor fitting (F).
- 6) Slide tensioner (C), spring (D) and rod grip (E) onto the rod. Tighten grip (E) to the end of the rod with allen key provided.
- 7) Adjust the tension of the rod by screwing tensioner (C) into floor fitting (F). See (G) below.

N.B. It is important to check the strength of the top fixing. No responsibility will be taken for incorrect fixing. This responsibility rests with the installer.

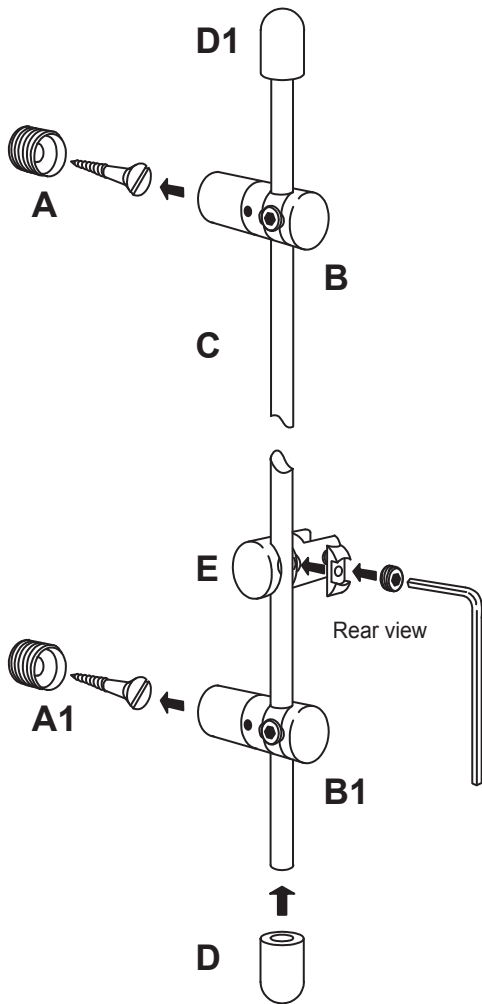
If using lighting on rods, we recommend that you use isolators (see illustration) at the top and bottom.

Rods are not supplied with fixing screws.



6mm Rod Display Systems - INSTALLATION GUIDELINES

Wall to Wall (WM11) - Rod Fixing



IMPORTANT: It is essential to check that the top ceiling fixings are strong enough to take the weight of the items being displayed, whilst allowing for the tension in the rods.

1) Select the upper height at which rod is to start. Fix brass fitting (A) to wall, using a suitable fixing for the type of wall:

- for wooden walls use a wood screw.
- for a cavity wall use a spring toggle bolt.
- for a solid wall use a rawlplug and screw.

2) Using a plumb line, plumb down from (A) to the required position for the bottom fitting (A1) and fix.

3) Screw rod supports (B-B1) into the brass fittings (A-A1).

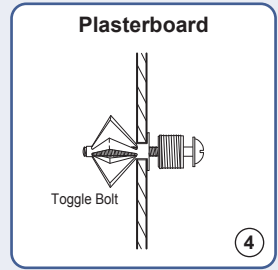
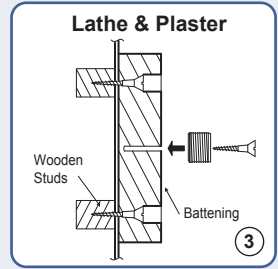
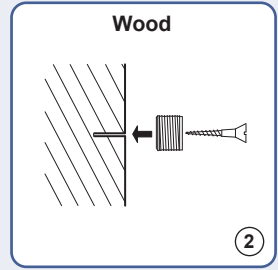
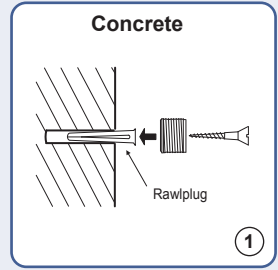
4) Un-tighten the set screws on the wall fittings (B-B1), slide the rod (C) into the open cavities at required position, and tighten back the set screws with allen key provided. Rod needs to be cut to size before attaching to the wall.

5) Attache the decorative end cap (D-D1) to both ends of rod.

5) Attache any rod support fitting (E) to the rod.

N.B. It is important to check the strength of the wall fixings. No responsibility will be taken for incorrect fixing. This responsibility rests with the installer.

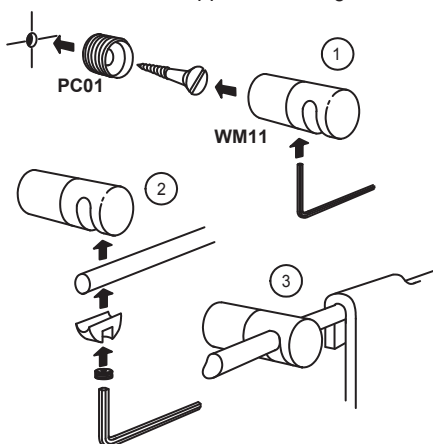
Rods are not supplied with fixing screws.



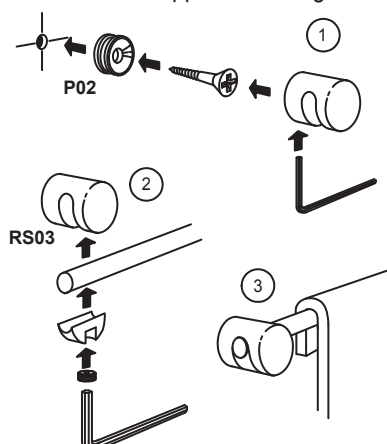
Wall Fixing Options

- 1) Fix rods directly back to the wall with (WM11) or (RS03). Ideal for creating high impact graphics presentations.
- 2) For customized depth fix rods back to the wall with (RP) connector - cut rod and fix with (RS05).

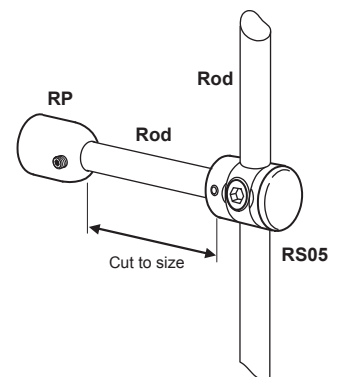
WM11 Support Mounting



RS03 Support Mounting

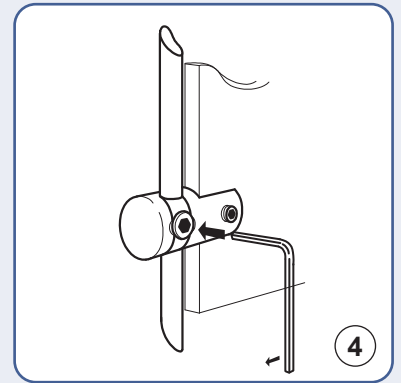
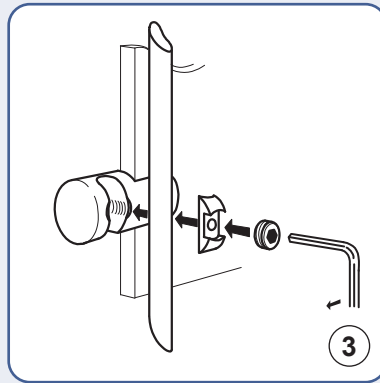
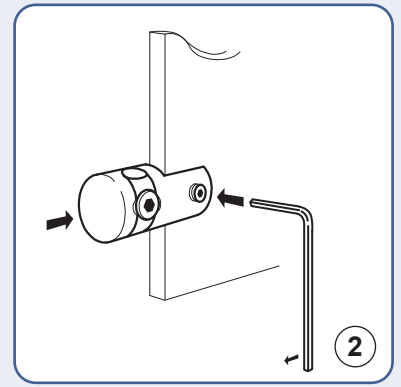
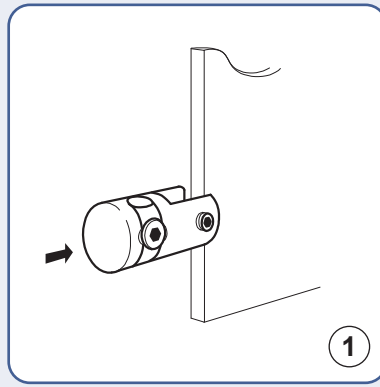
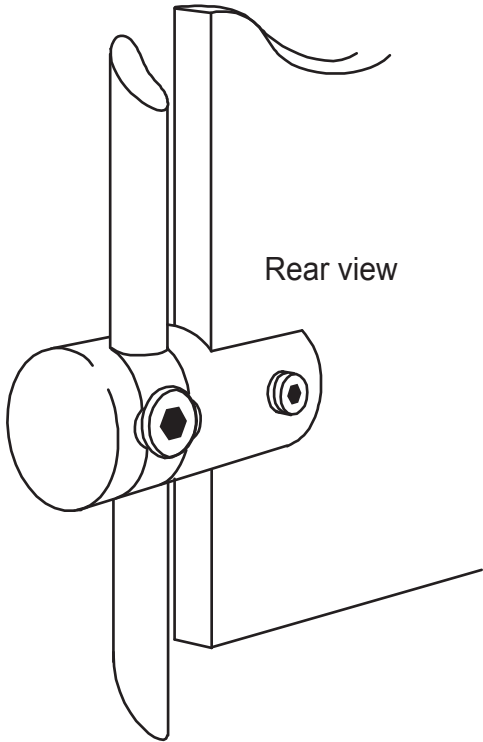


RP - RS05 Customized Depth



6mm Rod Display Systems - INSTALLATION GUIDELINES

Vertical Panel Fixing RG01 Single Support



Vertical Panel Fixing RG02 Double Support

