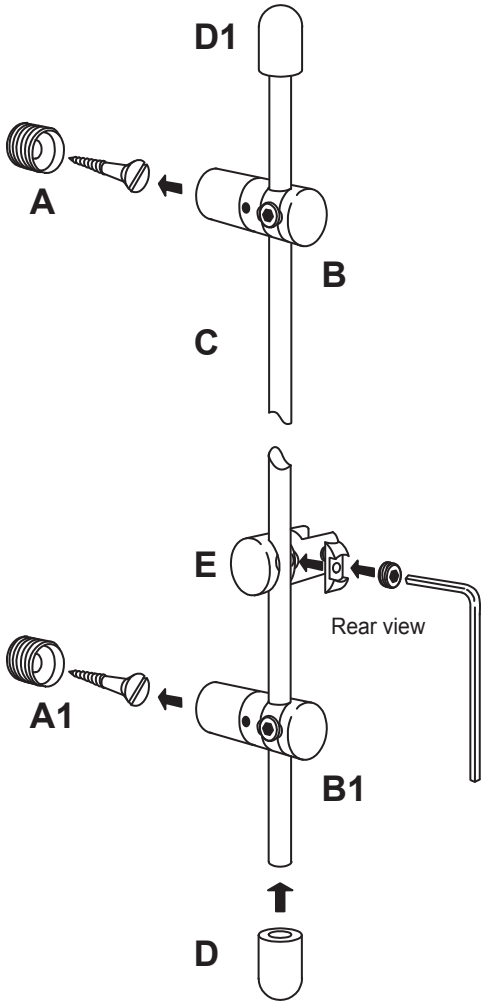


6mm Rod Display Systems - INSTALLATION GUIDELINES

Wall to Wall (WM11) - Rod Fixing



IMPORTANT: It is essential to check that the top ceiling fixings are strong enough to take the weight of the items being displayed, whilst allowing for the tension in the rods.

1) Select the upper height at which rod is to start. Fix brass fitting (A) to wall, using a suitable fixing for the type of wall:

- for wooden walls use a wood screw.
- for a cavity wall use a spring toggle bolt.
- for a solid wall use a rawlplug and screw.

2) Using a plumb line, plumb down from (A) to the required position for the bottom fitting (A1) and fix.

3) Screw rod supports (B-B1) into the brass fittings (A-A1).

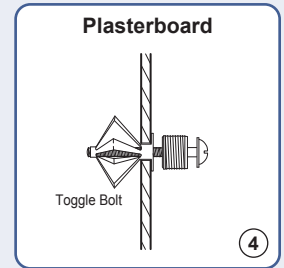
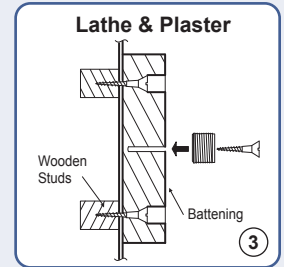
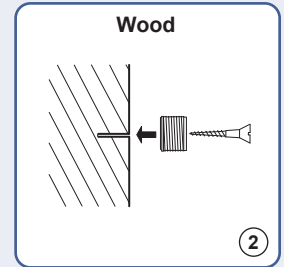
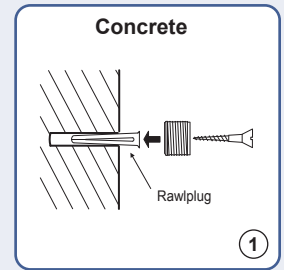
4) Un-tighten the set screws on the wall fittings (B-B1), slide the the rod (C) into the open cavities at required position, and tighten back the set screws with allen key provided. Rod needs to be cut to size before attaching to the wall.

5) Attache the decorative end cap (D-D1) to both ends of rod.

5) Attache any rod support fitting (E) to the rod.

N.B. It is important to check the strength of the wall fixings. No responsibility will be taken for incorrect fixing. This responsibility rests with the installer.

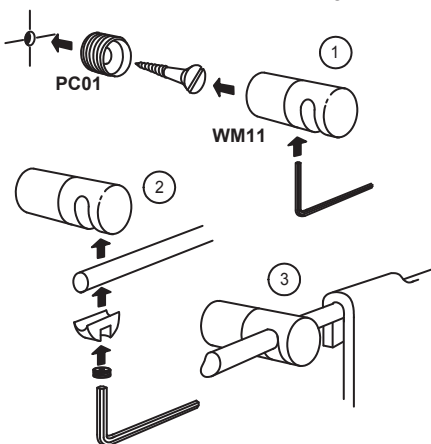
Rods are not supplied with fixing screws.



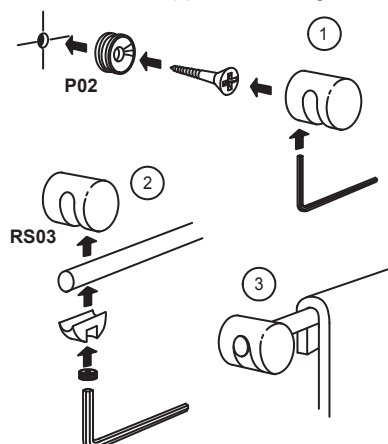
Wall Fixing Options

- 1) Fix rods directly back to the wall with (WM11) or (RS03). Ideal for creating high impact graphics presentations.
- 2) For customized depth fix rods back to the wall with (RP) connector - cut rod and fix with (RS05).

WM11 Support Mounting



RS03 Support Mounting



RP - RS05 Customized Depth

