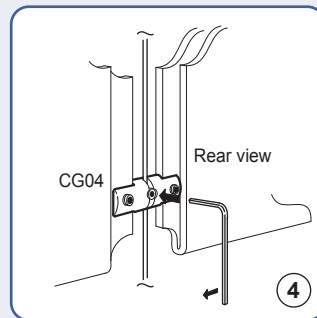
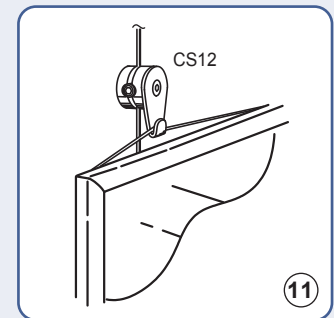
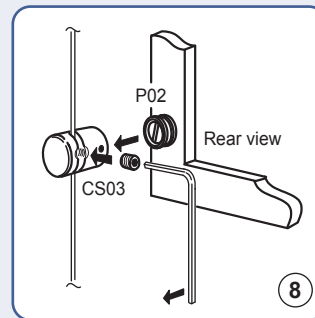
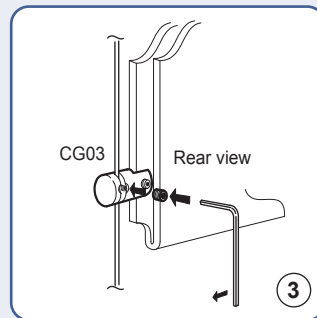
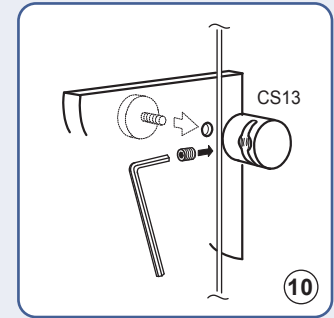
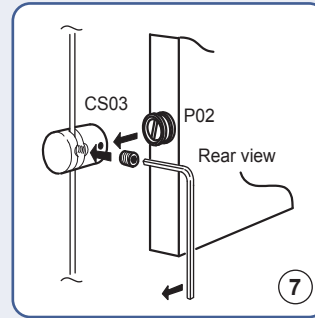
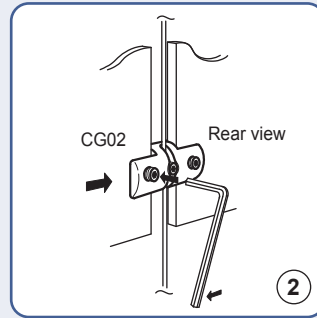
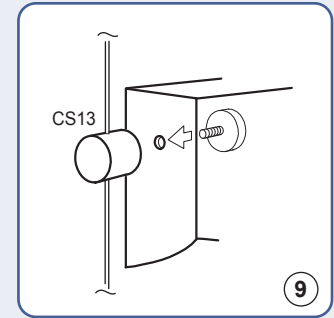
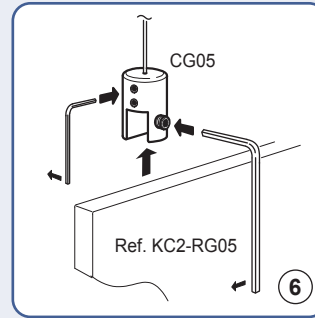
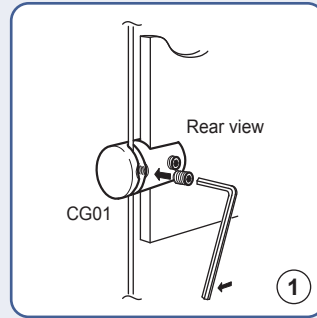
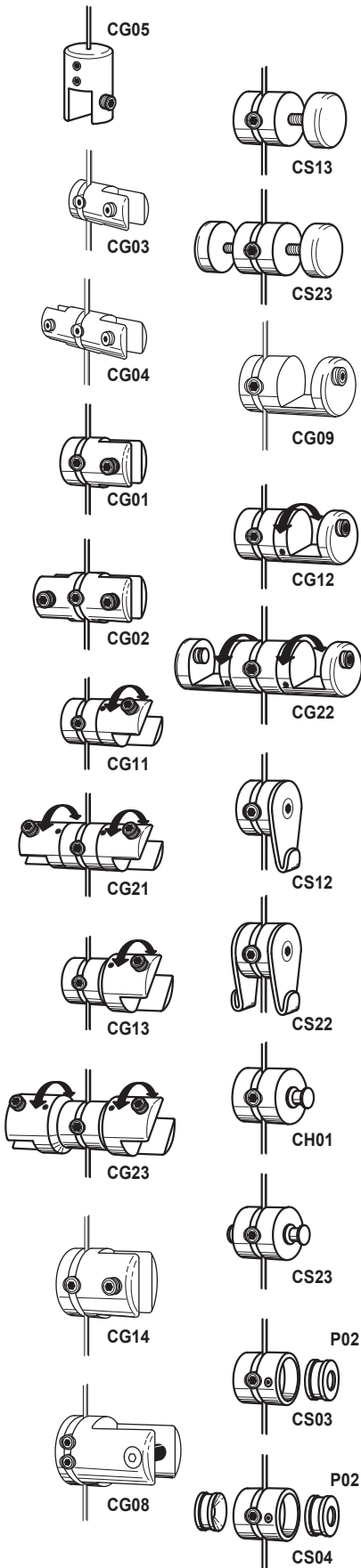


1.5mm Cable Display Systems - PANEL SUPPORTS



- ① Graphic Panels - Vertical Support Single
- ② Graphic Panels - Vertical Support Double
- ③ Easy Access Acrylic Pockets - Vertical Support Single
- ④ Easy Access Acrylic Pockets - Vertical Support Double
- ⑤ Graphic Panels "Sandwich" - Vertical Support Single
- ⑥ Graphic Panels - Top Clamp Support
- ⑦ Graphic Panels - Single Support w/Screw Mount
- ⑧ Framed Presentations - Single Support w/Screw Mount
- ⑨ Dimensional Presentations - Support for Drilled Panels
- ⑩ Graphic Panels - Support for Drilled Panels
- ⑪ Framed Presentations - Hook Support

