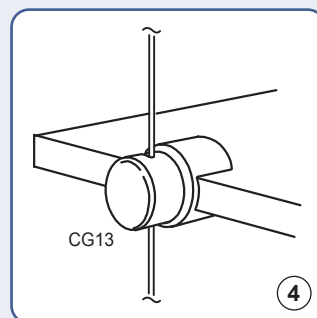
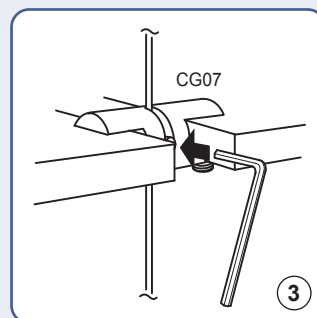
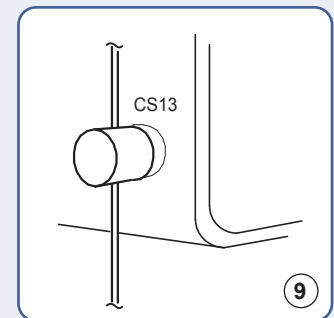
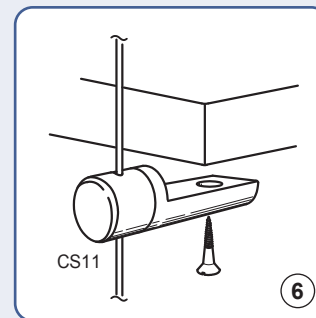
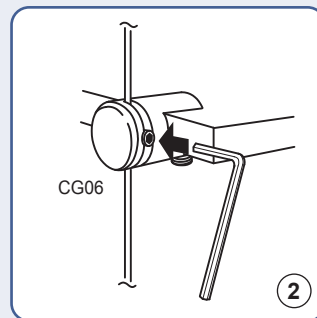
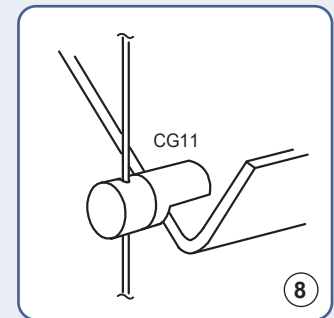
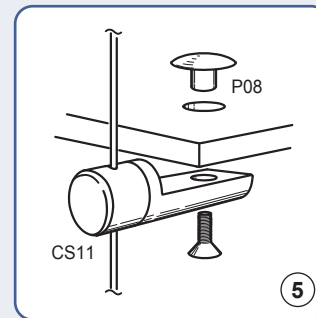
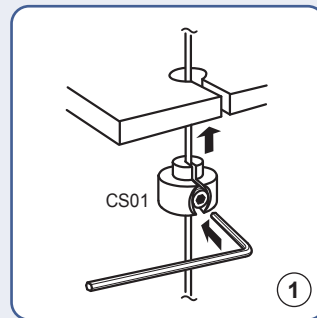
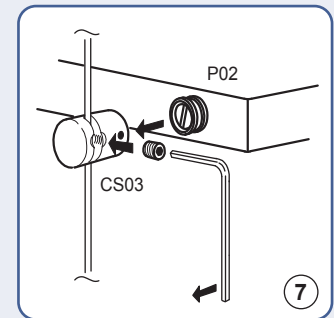
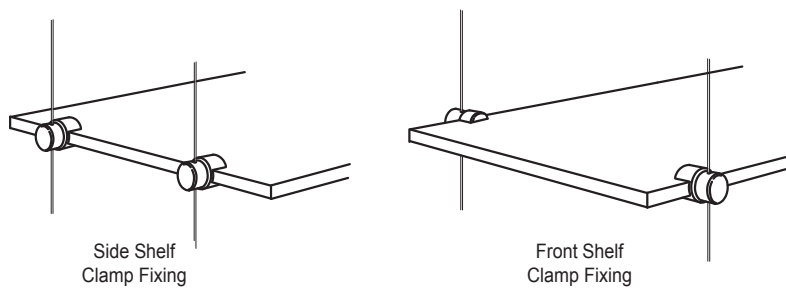
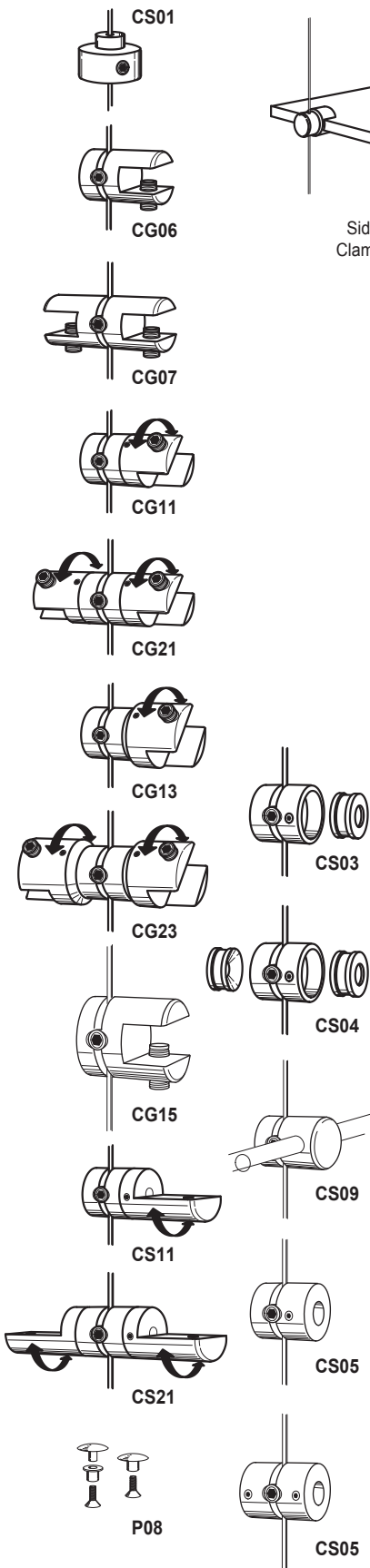


1.5mm Cable Display Systems - SHELF SUPPORTS



- ① Drilled & Slotted Shelves - Support locates under shelf
- ② Glass Shelving - Clamp Support Single
- ③ Glass Shelving - Clamp Support Double
- ④ Glass Shelving - Multi-position Clamp Support Single
- ⑤ Glass Shelving - Single Support w/Bolt Mount
- ⑥ Wooden Shelves - Support w/Screw Mount Single
- ⑦ Wooden Shelves - Support w/Screw Mount Single
- ⑧ Sloping Acrylic Shelf - Multi-position Clamp Support
- ⑨ Acrylic Case or Cube - Support for Drilled Panels