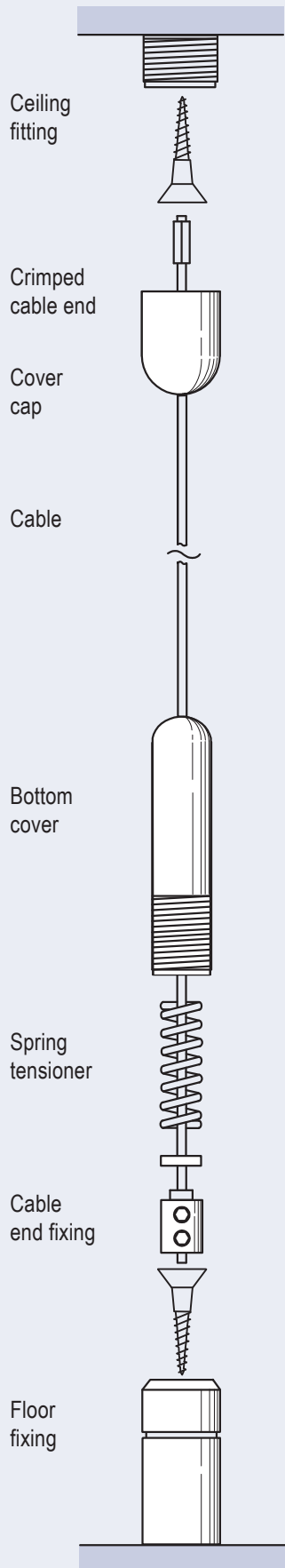


# 1.5mm Cable Display Systems - FEATURES & BENEFITS



**Top fitting**  
Top boss fixes to ceiling with a single screw (up to no.10) ensuring a really secure fit.

Crimped copper top fitting ensures cable is held securely - reduces margin for human error.

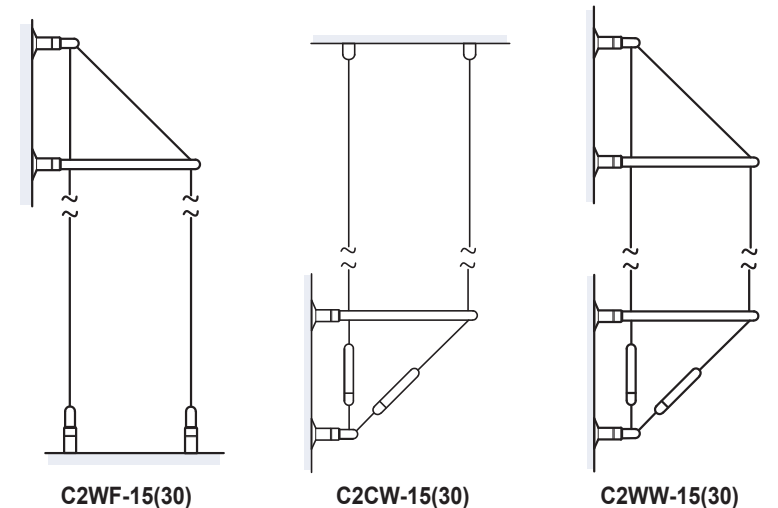
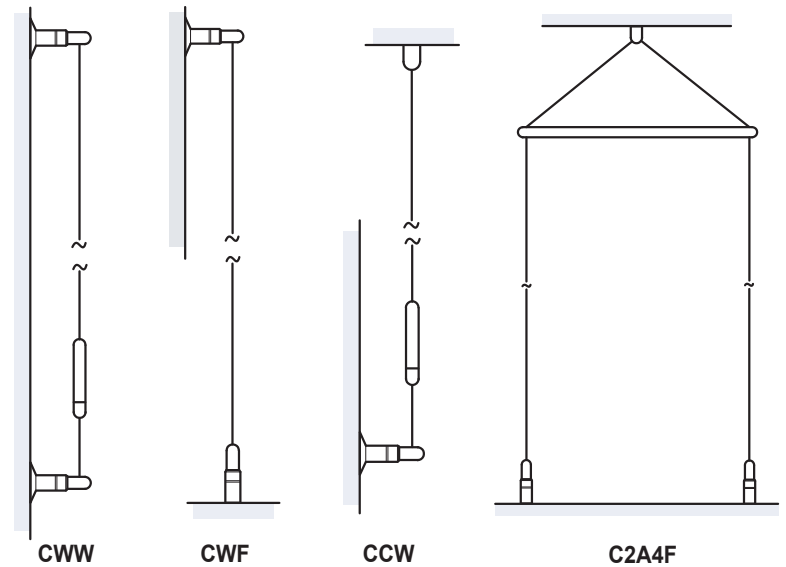
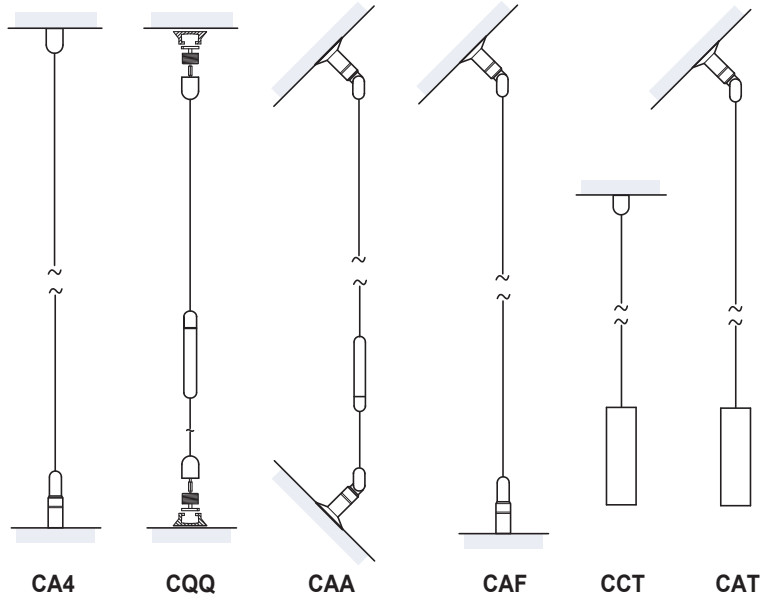
**Cables**  
Cables made from galvanized steel (unlike stainless steel, this will not kink or mark as easily).

1.5mm cable is strong enough to support 264lbs (120kg) - so even the heaviest of items can be displayed.

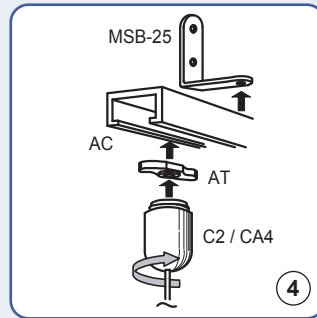
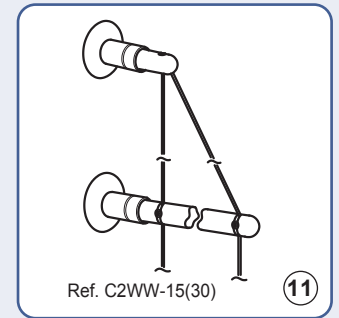
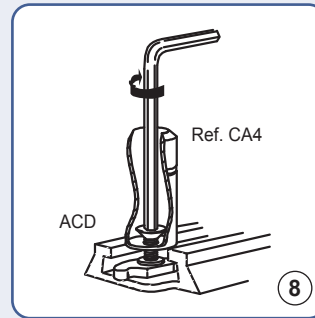
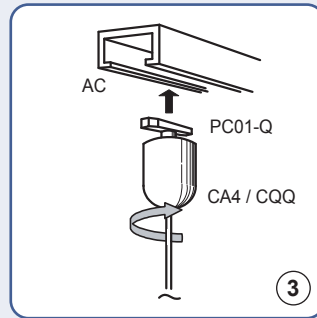
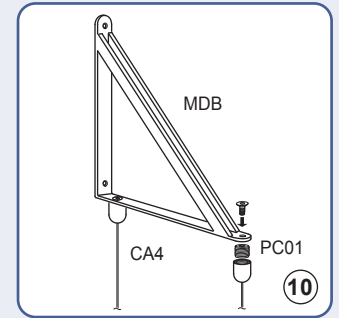
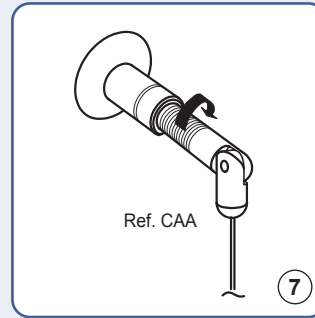
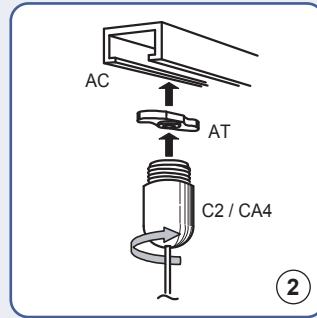
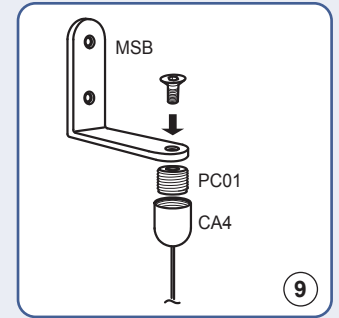
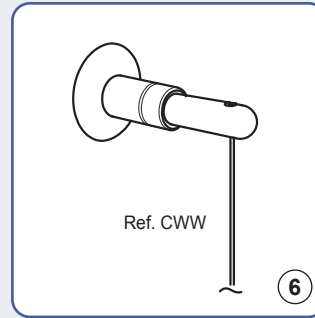
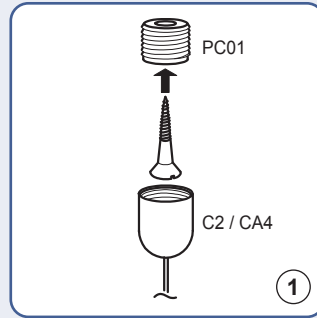
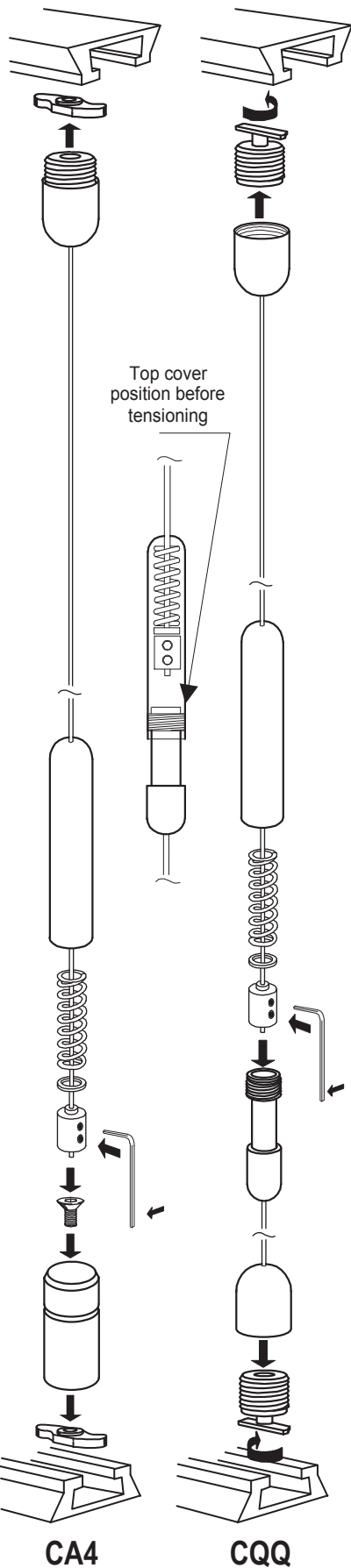
3mm cable is also available to support even heavier loads.

**Components**  
Components are made from brass - extremely durable. They strong enough to support 45-75lbs each. Available in 5 standard finishes - special finishes are available on request.

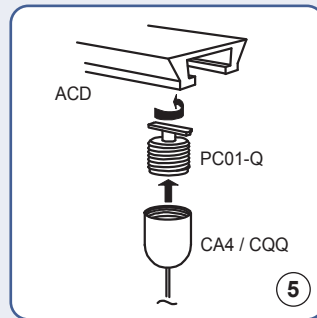
**Bottom fixing**  
Perfect tension is maintained at all times by a spring tensioner - cable will not go slack due to temperature changes. Easily adjusted without the need for tools.



# 1.5mm Cable Display Systems - CABLE FIXING OPTIONS

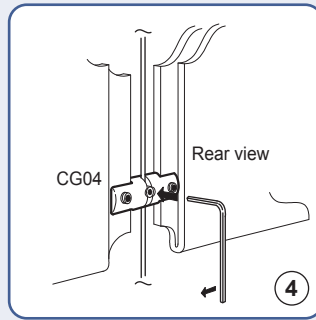
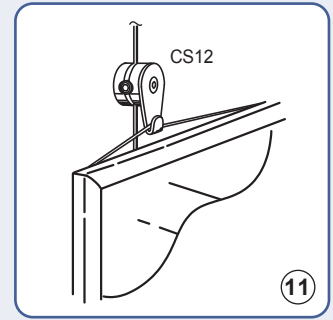
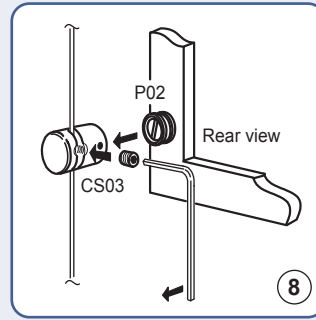
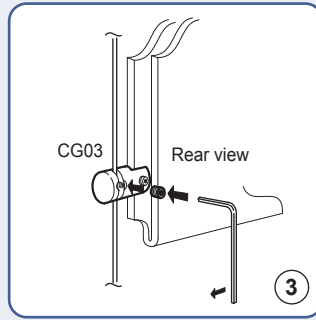
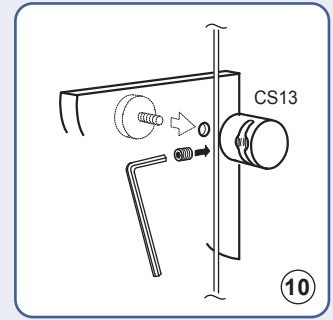
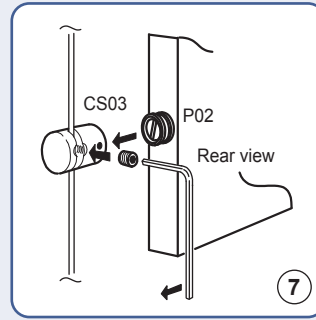
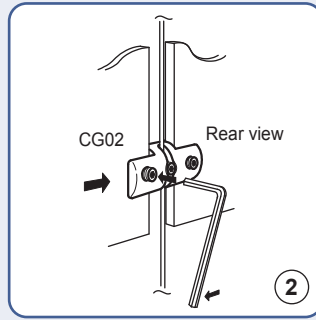
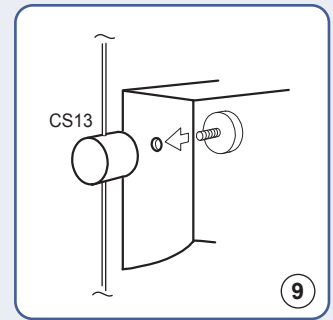
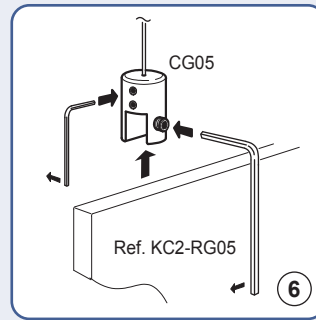
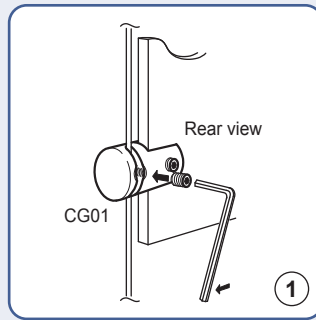
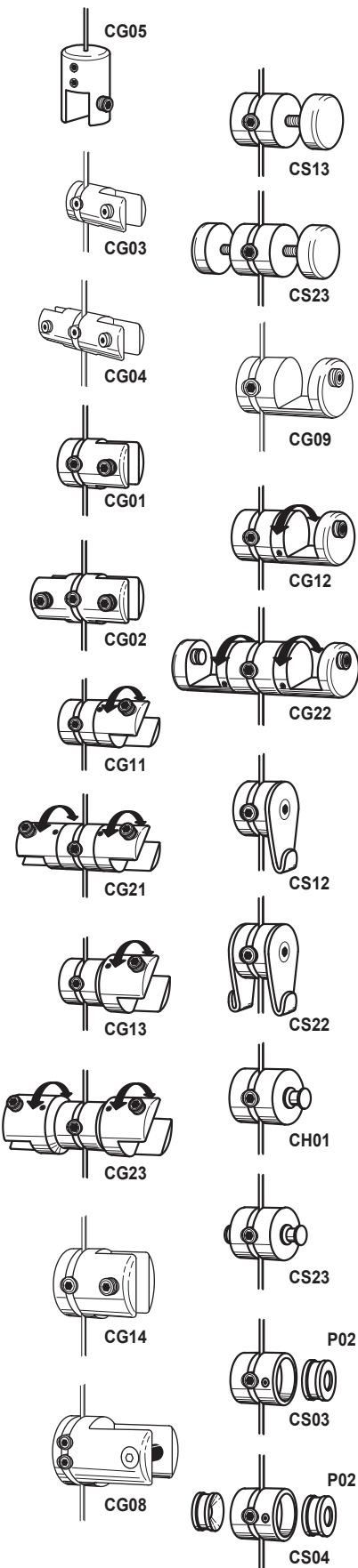


- 1 Top Fixing - Single Screw or Bolt
- 2 Channel Top/Bottom Fixing - Toggle Fitting
- 3 Channel Top/Bottom Fixing - Quick Fit Toggle
- 4 Channel Wall Fixing - Toggle Fitting
- 5 Channel Top/Bottom Fixing - Quick Fit Toggle

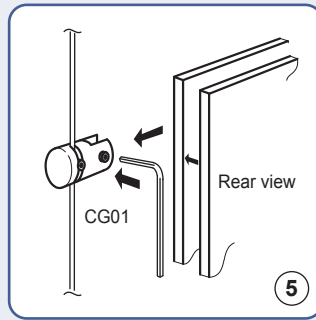


- 6 Wall Fixing - Single Screw or Bolt
- 7 Angled Top/Bottom Fixing - Single Screw or Bolt
- 8 Channel Bottom Fixing - Toggle Fitting
- 9 Wall Fixing - (MSB) Single Bracket
- 10 Wall Fixing - (MDB) Double Bracket (for shelving)
- 11 Wall Fixing - Double Cable for Shelving

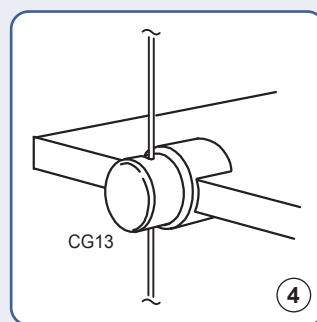
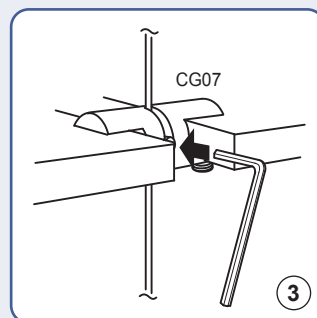
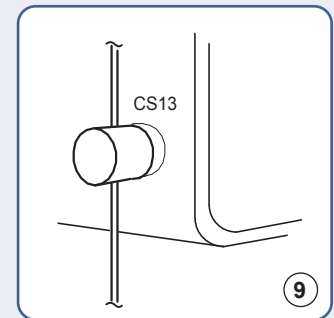
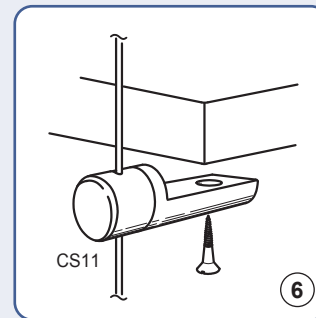
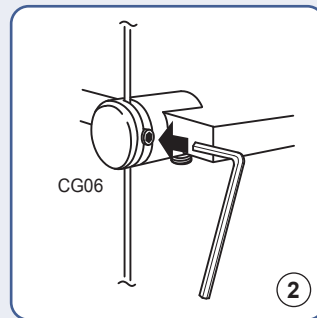
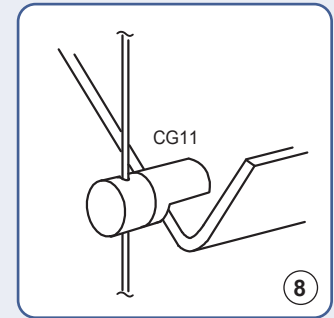
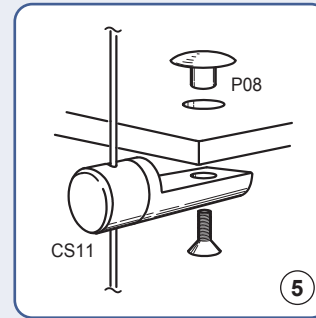
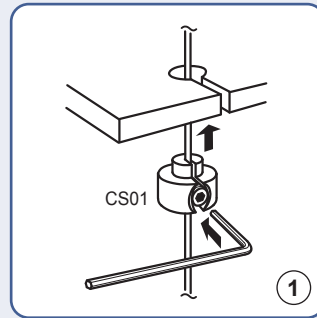
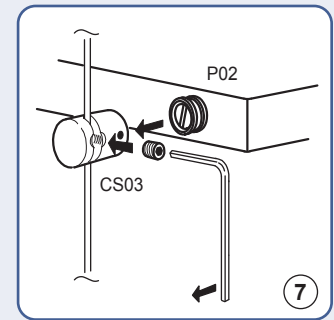
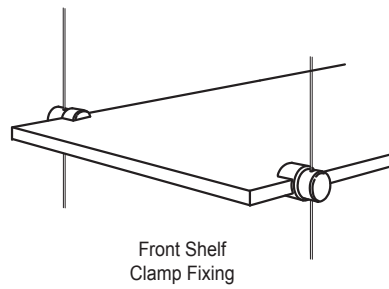
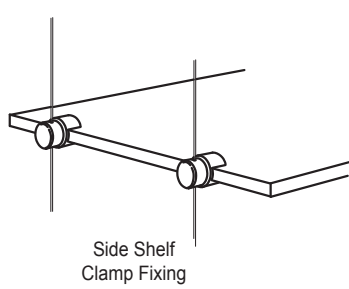
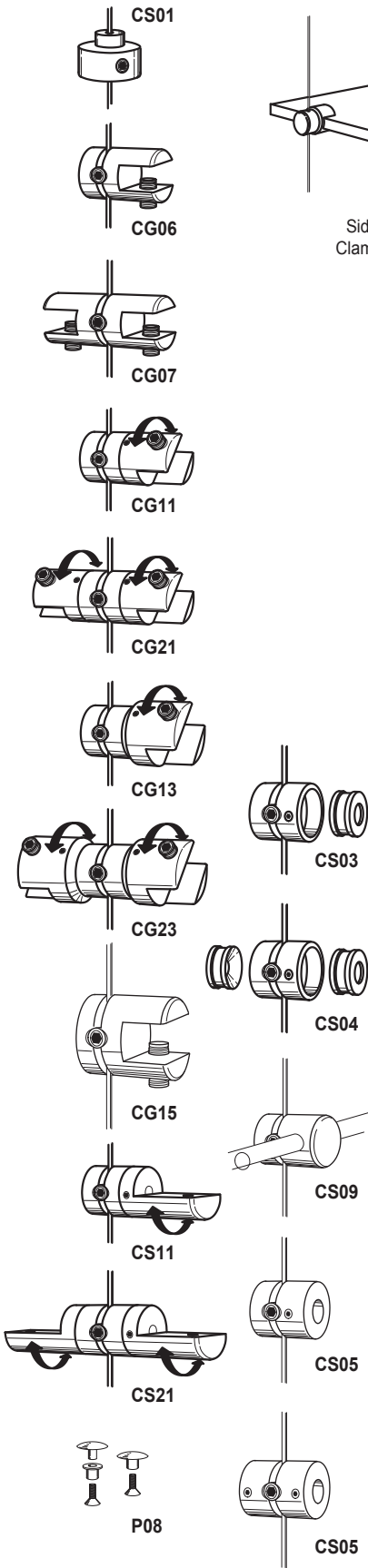
# 1.5mm Cable Display Systems - PANEL SUPPORTS



- ① Graphic Panels - Vertical Support Single
- ② Graphic Panels - Vertical Support Double
- ③ Easy Access Acrylic Pockets - Vertical Support Single
- ④ Easy Access Acrylic Pockets - Vertical Support Double
- ⑤ Graphic Panels "Sandwich" - Vertical Support Single
- ⑥ Graphic Panels - Top Clamp Support
- ⑦ Graphic Panels - Single Support w/Screw Mount
- ⑧ Framed Presentations - Single Support w/Screw Mount
- ⑨ Dimensional Presentations - Support for Drilled Panels
- ⑩ Graphic Panels - Support for Drilled Panels
- ⑪ Framed Presentations - Hook Support



# 1.5mm Cable Display Systems - SHELF SUPPORTS



- 1 Drilled & Slotted Shelves - Support locates under shelf
- 2 Glass Shelving - Clamp Support Single
- 3 Glass Shelving - Clamp Support Double
- 4 Glass Shelving - Multi-position Clamp Support Single
- 5 Glass Shelving - Single Support w/Bolt Mount
- 6 Wooden Shelves - Support w/Screw Mount Single
- 7 Wooden Shelves - Support w/Screw Mount Single
- 8 Sloping Acrylic Shelf - Multi-position Clamp Support
- 9 Acrylic Case or Cube - Support for Drilled Panels