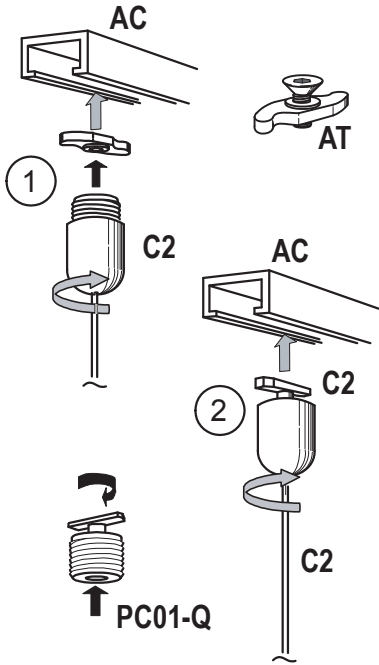


1.5mm Cable Display Systems - GALLERY DISPLAY SYSTEMS

CHANNEL FIXING TO CEILING

(AVAILABLE IN TWO OPTIONS)



AC - REBATE CHANNEL 8 FT - 11.5mm High, 19mm Wide - For ceiling, floor or wall mounting - Cables are fully adjustable.

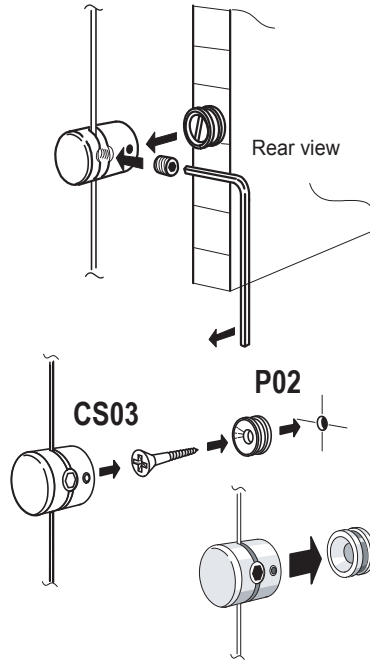
PC01-Q - QUICK FIT TOGGLE - Brass toggle that screws into the top end of a cable or wall fitting. Unit fits directly into almost any make of channel.

AT - TOGGLE - For fixing cables to channels. Can be used with all top and bottom fittings. Allen key provided.

C2 - 2M Long Cable with Ceiling Fixing for supporting signs and panels.

FRAMED ART ATTACHMENT TO CABLES

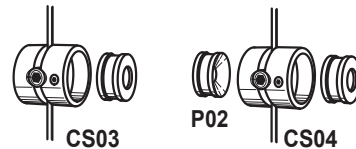
(FOR WOODEN FRAMES)



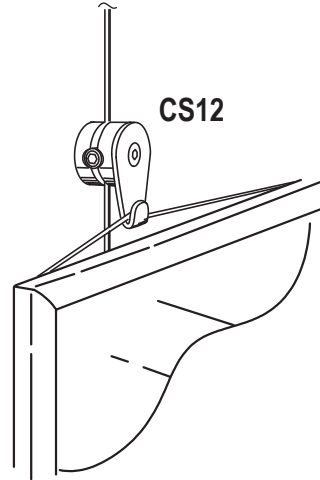
CS03 - SUPPORT SINGLE - For any item fitted with boss ref. P02.

CS04 - SUPPORT DOUBLE - For any item fitted with boss ref. P02.

P02 - BOSS FOR USE w/SUPPORTS. Ref. CS03 (RS03) or CS04. Use with up to no. 10 countersunk wood screw or bolt.

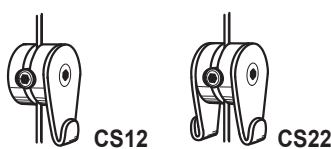


FRAMED ART HANGING ON HOOKS



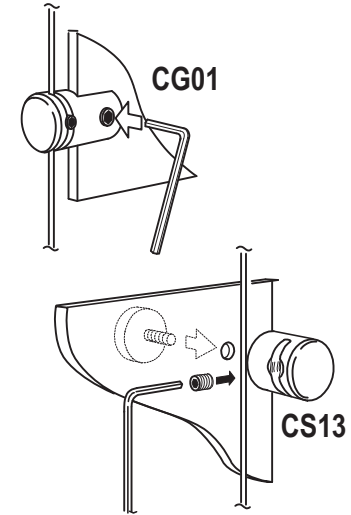
CS12 - PICTURE HOOK SINGLE - 16mm Dia. / 15mm Depth.

CS12 - PICTURE HOOK SINGLE - 16mm Dia. / 15mm Depth.



GRAPHIC PANELS CLAMP SUPPORTS

(SUPPORTING FROM SIDE)

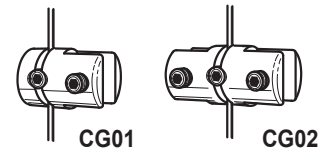


CG03 - VERTICAL SUPPORT (clamp) - SINGLE - For panels up to 4mm (5/32") thick.

CG04 - VERTICAL SUPPORT (clamp) - DOUBLE - For panels up to 4mm (5/32") thick.

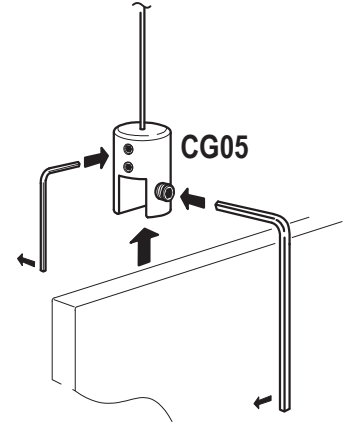
CG01 - VERTICAL SUPPORT (clamp) - SINGLE - For panels up to 7mm (1/4") thick.

CG02 - VERTICAL SUPPORT (clamp) - DOUBLE - For panels up to 7mm (1/4") thick.



GRAPHIC PANELS TOP CLAMP SUPPORTS

(HANGING FROM TOP)



CG05 - SUPPORT CLAMP - For suspended panels - to take up to 7mm (1/4") thick panel.

CG13 - MULTI-POSITION SUPPORT - SINGLE - For panels up to 10mm (3/8") thick. Adjustable to any angle. Can be locked into position.

CG23 - MULTI-POSITION SUPPORT - DOUBLE - For panels up to 10mm (3/8") thick. Adjustable to any angle. Can be locked into position.

CS13 - SUPPORT FOR PANELS WITH HOLES - For panels up to 5/6mm thick. Hole size 6mm Dia.

