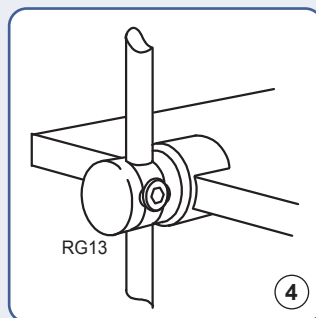
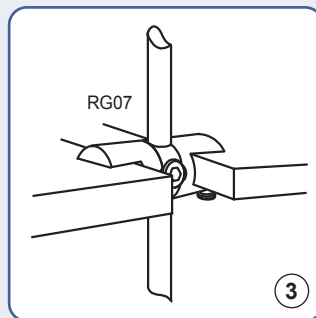
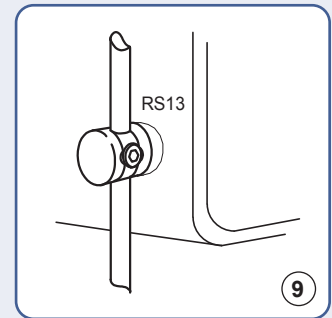
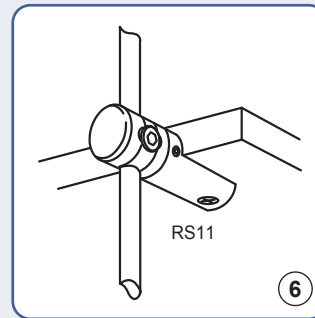
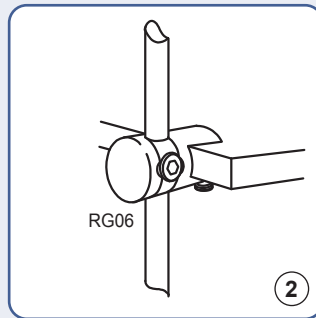
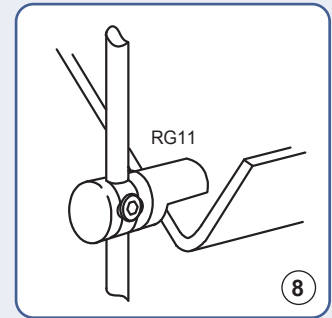
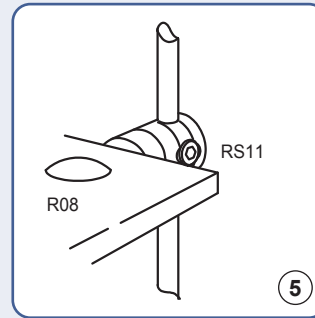
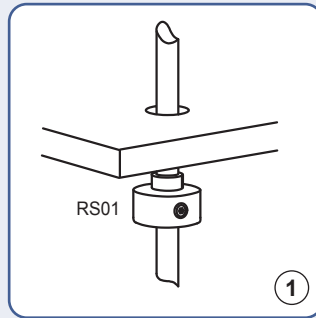
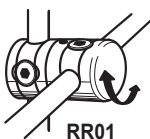
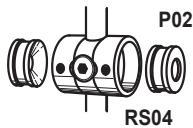
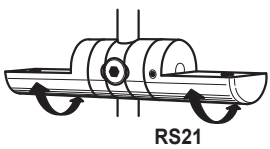
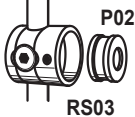
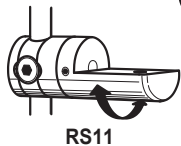
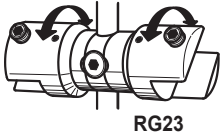
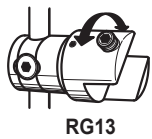
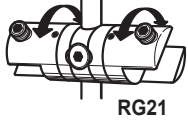
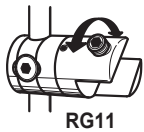
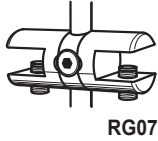
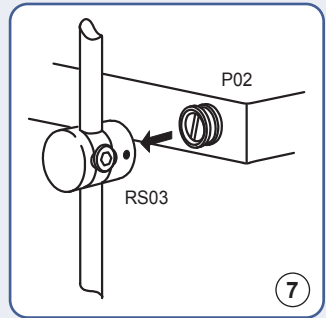
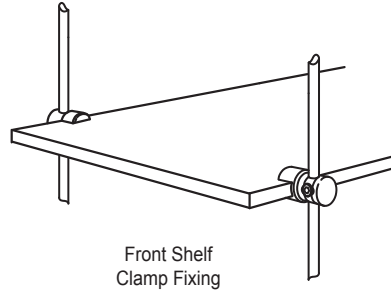
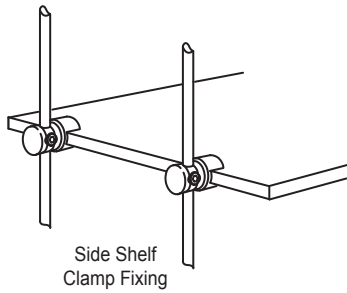
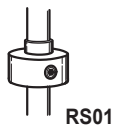


6mm Rod Display Systems - SHELF SUPPORTS



- 1 Drilled & Slotted Shelves - Support locates under shelf
- 2 Glass Shelving - Clamp Support Single
- 3 Glass Shelving - Clamp Support Double
- 4 Glass Shelving - Multi-position Clamp Support Single
- 5 Glass Shelving - Single Support w/Bolt Mount
- 6 Wooden Shelves - Support w/Screw Mount Single
- 7 Wooden Shelves - Support w/Screw Mount Single
- 8 Sloping Acrylic Shelf - Multi-position Clamp Support
- 9 Acrylic Case or Cube - Support for Drilled Panels