

Poster Display Kits

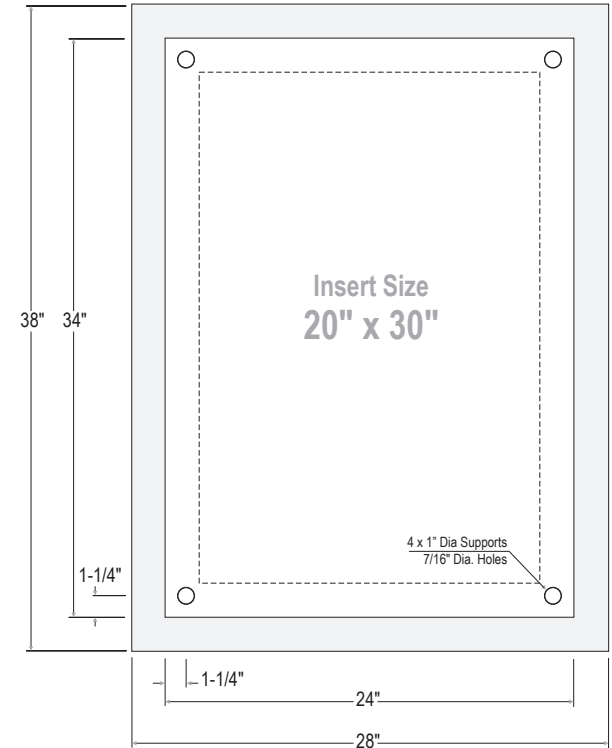
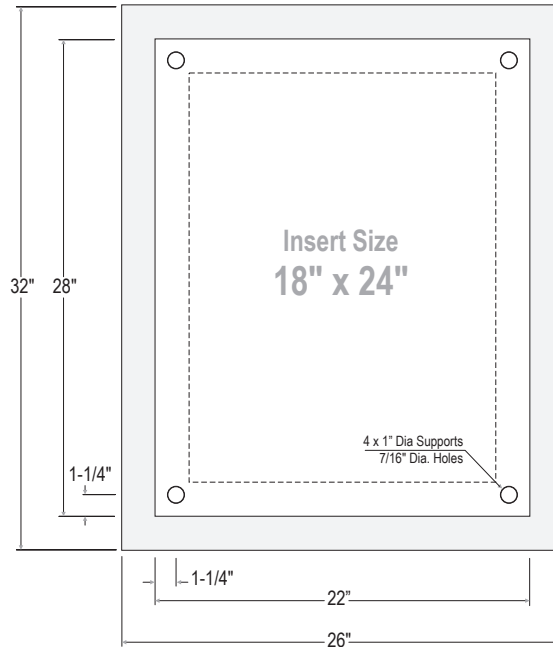
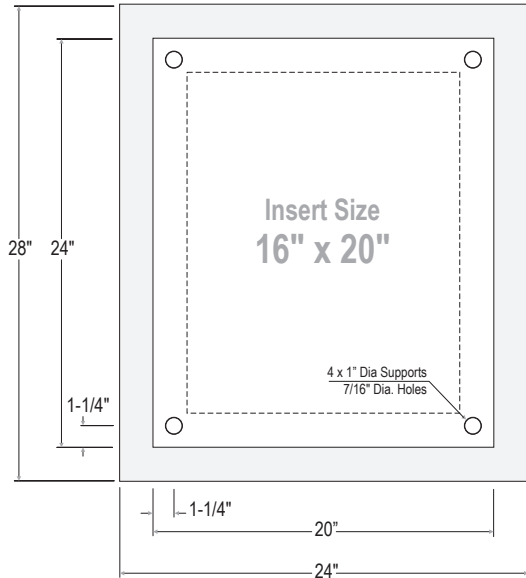
ACCENT SERIES

SANDWICH ACRYLIC PANELS

Hardware List & Specifications



1/4" Thick Sandwich Frames with Frosted Screen



KASP-038

HARDWARE:

- WM15 - Panel Support (1" Dia. x 1" Length) (4 ea)
- PWM05 - Base Support (1" Dia. x 1" Length) (4 ea)
- PC31 - Joiner (4 ea)
- P19W - Screw Set for Wall Mounting (4 ea)

ACCESSORIES:

- 36ASP-BP-2024FR/H - 3/16" Frosted Acrylic Back Panel (1 ea)
Panel Size: 24" x 28"
- 18ASP-2024/H - 1/8" Clear Acrylic Panel (1 ea)
Panel Size: 20" x 24"
- 18ASP-2024NG/H - 1/8" Non-Glare Panel (1 ea)
Panel Size: 20" x 24"

***Poster Insert Size: 16" x 20"

Weight: 15.1 lbs

KASP-039

HARDWARE:

- WM15 - Panel Support (1" Dia. x 1" Length) (4 ea)
- PWM05 - Base Support (1" Dia. x 1" Length) (4 ea)
- PC31 - Joiner (4 ea)
- P19W - Screw Set for Wall Mounting (4 ea)
- 14CLIP - 1/4" Clear Clip (4 ea)

ACCESSORIES:

- 36ASP-BP-2228FR/H - 3/16" Frosted Acrylic Back Panel (1 ea)
Panel Size: 26" x 32"
- 18ASP-2228/H - 1/8" Clear Acrylic Panel (1 ea)
Panel Size: 22" x 28"
- 18ASP-2228NG/H - 1/8" Non-Glare Panel (1 ea)
Panel Size: 22" x 28"

***Poster Insert Size: 18" x 24"

Weight: 19.2 lbs

KASP-040

HARDWARE:

- WM15 - Panel Support (1" Dia. x 1" Length) (4 ea)
- PWM05 - Base Support (1" Dia. x 1" Length) (4 ea)
- PC31 - Joiner (4 ea)
- P19W - Screw Set for Wall Mounting (4 ea)
- 14CLIP - 1/4" Clear Clip (4 ea)

ACCESSORIES:

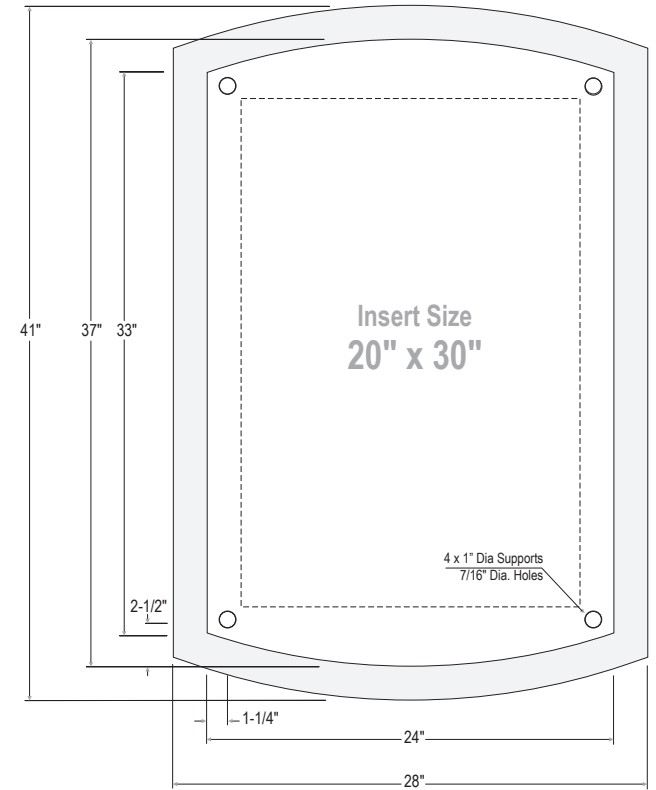
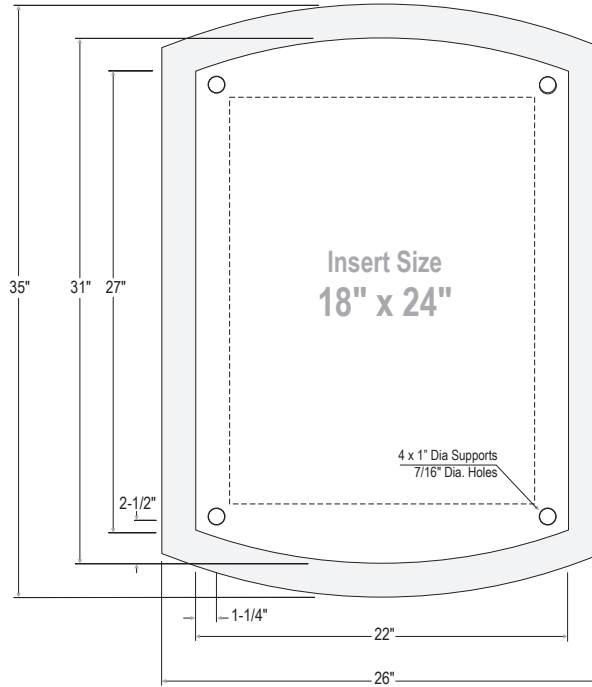
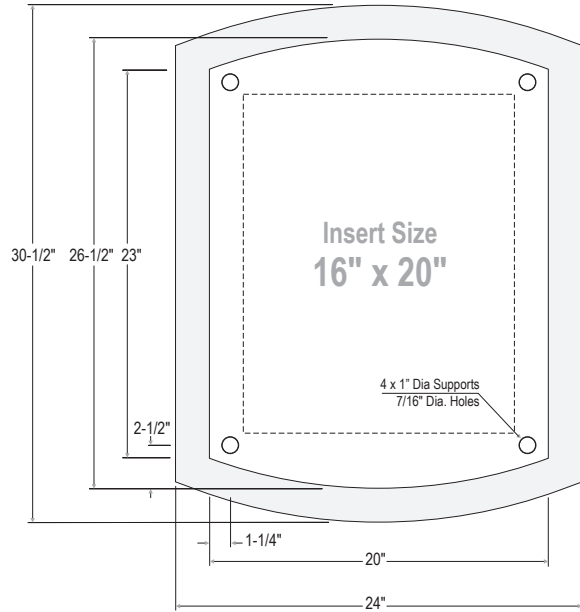
- 36ASP-BP-2434FR/H - 3/16" Frosted Acrylic Back Panel (1 ea)
Panel Size: 28" x 38"
- 18ASP-2434/H - 1/8" Clear Acrylic Panel (1 ea)
Panel Size: 24" x 34"
- 18ASP-2434NG/H - 1/8" Non-Glare Panel (1 ea)
Panel Size: 24" x 34"

***Poster Insert Size: 20" x 30"

Weight: 24.7 lbs



1/4" Thick Sandwich Frames with Frosted Screen



KASP-041

HARDWARE:

- WM15 - Panel Support (1" Dia. x 1" Length) (4 ea)
- PWM05 - Base Support (1" Dia. x 1" Length) (4 ea)
- PC31 - Joiner (4 ea)
- P19W - Screw Set for Wall Mounting (4 ea)

ACCESSORIES:

- 36ASP-2CR-1620FR/BP - 3/16" Frosted Acrylic Back Panel (1 ea)
Panel Size: 24" x 30.1"
- 18ASP-2CR-1620/H - 1/4" Clear Acrylic Back Panel (1 ea)
Panel Size: 20" x 26.5" / Arched Top & Bottom
- 18ASP-2CR-1620NG/H - 1/8" Non-Glare Front Panel (1 ea)
Panel Size: 20" x 26.5" / Arched Top & Bottom

***Poster Insert Size: 16" x 20"

Weight: 19 lbs

KASP-042

HARDWARE:

- WM15 - Panel Support (1" Dia. x 1" Length) (4 ea)
- PWM05 - Base Support (1" Dia. x 1" Length) (4 ea)
- PC31 - Joiner (4 ea)
- P19W - Screw Set for Wall Mounting (4 ea)
- 14CLIP - 1/4" Clear Clip (4 ea)

ACCESSORIES:

- 36ASP-2CR-1824FR/BP - 3/16" Frosted Acrylic Back Panel (1 ea)
Panel Size: 26" x 35"
- 18ASP-2CR-1824/H - 1/4" Clear Acrylic Back Panel (1 ea)
Panel Size: 22" x 31" / Arched Top & Bottom
- 18ASP-2CR-1824NG/H - 1/8" Non-Glare Front Panel (1 ea)
Panel Size: 22" x 31" / Arched Top & Bottom

***Poster Insert Size: 18" x 24"

Weight: 23.2 lbs

KASP-043

HARDWARE:

- WM15 - Panel Support (1" Dia. x 1" Length) (4 ea)
- PWM05 - Base Support (1" Dia. x 1" Length) (4 ea)
- PC31 - Joiner (4 ea)
- P19W - Screw Set for Wall Mounting (4 ea)
- 14CLIP - 1/4" Clear Clip (4 ea)

ACCESSORIES:

- 36ASP-2CR-2030FR/BP - 3/16" Frosted Acrylic Back Panel (1 ea)
Panel Size: 28" x 41"
- 18ASP-2CR-2030/H - 1/4" Clear Acrylic Back Panel (1 ea)
Panel Size: 24" x 37" / Arched Top & Bottom
- 18ASP-2CR-2030NG/H - 1/8" Non-Glare Front Panel (1 ea)
Panel Size: 24" x 37" / Arched Top & Bottom

***Poster Insert Size: 20" x 30"

Weight: 27.3 lbs