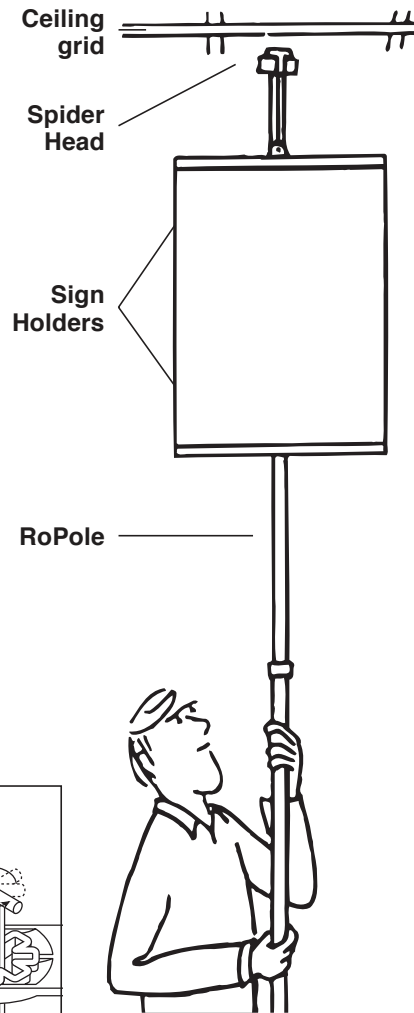
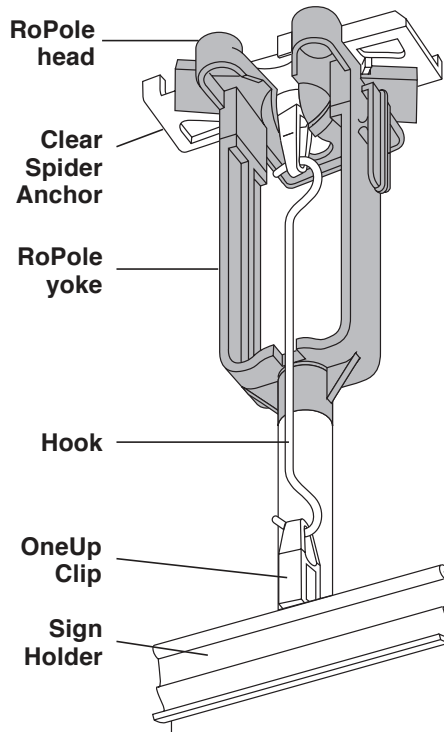
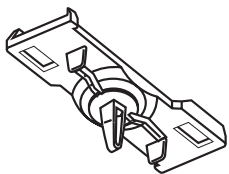


# Spider RoPole Instructions

## Spider RoPole with assembled components

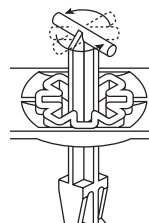


### One-Piece Clear Spider Anchor



### Two-Piece Clear Spider Anchor

The Two-Piece Clear Spider Anchor allows you to hang signs at 45° increments.



## To install

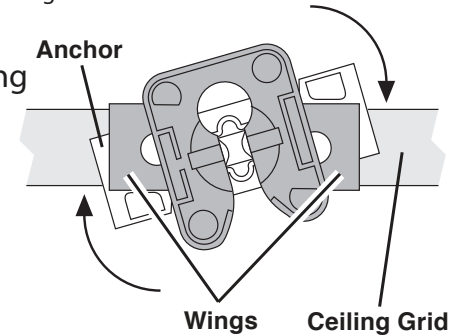
Assemble poster, sign holders, hook and anchor onto RoPole head (see illustration on front).

Rest heel of RoPole on floor. Loosen telescopic joints and extend pole to the ceiling.

Lock the RoPole joints.

Line up the wings of the RoPole head under the ceiling grid (Fig. 1). Push up lightly against the grid. Twist the RoPole to the right until the anchor locks.

Figure 1



## To remove

Rest heel of RoPole on floor. Loosen telescopic joints and extend pole to the ceiling. Firmly lock the RoPole joints.

Line up RoPole head with grid as shown (Fig. 2). Push up lightly. With the anchor engaged in the RoPole head, turn the RoPole to the left until the anchor releases.

Figure 2

